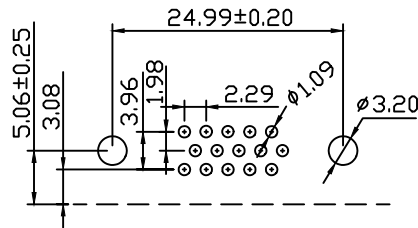
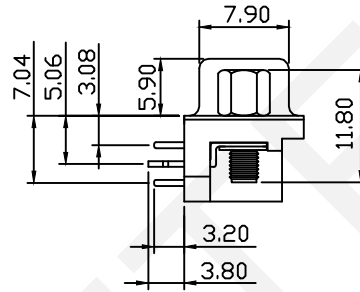
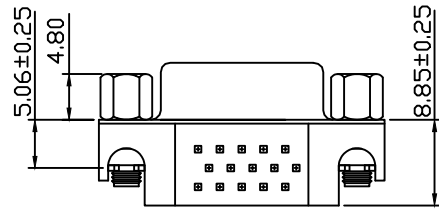
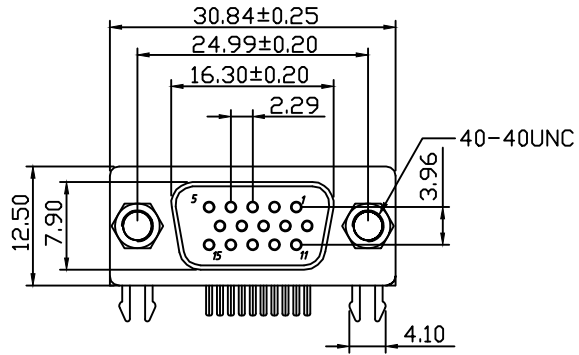
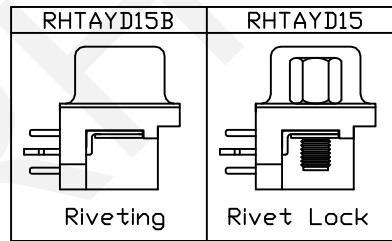


RoHS Compliant



RECOMMENDED PCB LAYOUT
TOLERANCE:±0.05mm



Material:

Housing:PBT+30% Glass Filled,UL94V-0

Contacts:Brass,Gold Plating

Shell:Steel,Nickel Plating,

Electrical Characteristics:

Current Rating:5AMP

Insulator Resistance:1000MΩ Min. at DC 500V

Withstanding Voltage: 500V AC (rms) For 1 Minute

Contact Resistance:20MΩ Max. Initial

Operating Temperature:-55°C~+105°C

Order Information:

RHTAYD15-15-F-L

Type:D15 Or D15B

15-No.of 15Pins

Connector Type:F-Female

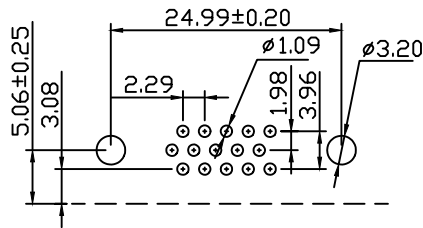
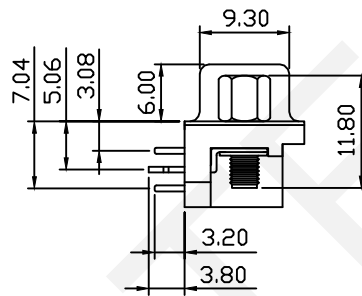
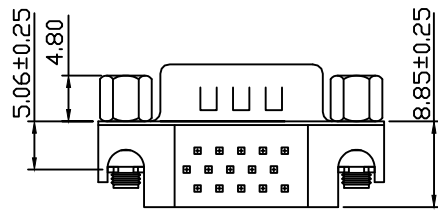
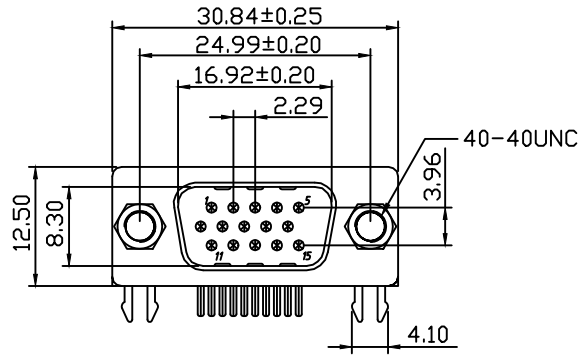
Housing Color: L-Blue B-Black

RHTECP NINGBO RHT ELECTRONIC CO.,LTD

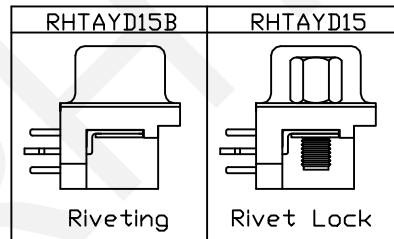
UNITS:mm	SHEET SIZE: A4		SCALE:---	DRWN BY PAN
0~3	3~18	18~50	50~120	CHK'D BY FENG
±0.12	±0.15	±0.3	±0.5	APPR BY ZHAN

D-SUB Connector,R/A, Through Hole,3.08mm,Female	
THIRD ANGLE PROJECTION 	RHTAYD15-15-F-L

RoHS Compliant



RECOMMENDED PCB LAYOUT
TOLERANCE:±0.05mm



Material:

Housing:PBT+30% Glass Filled,UL94V-0

Contacts:Brass,Gold Plating

Shell:Steel,Nickel Plating,

Electrical Characteristics:

Current Rating:5AMP

Insulator Resistance:1000MΩ Min. at DC 500V

Withstanding Voltage: 500V AC (rms) For 1 Minute

Contact Resistance:20MΩ Max. Initial

Operating Temperature:-55°C~+105°C

Order Information:

RHTAYD15-15-M-L

Type:D15 Or D15B

15-No.of 15Pins

Connector Type: M-Male

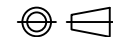
Housing Color: L-Blue B-Black



NINGBO RHT ELECTRONIC CO.,LTD

UNITS:mm	SHEET SIZE: A4		SCALE:---	DRWN BY PAN
0~3	3~18	18~50	50~120	CHK'D BY FENG
±0.12	±0.15	±0.3	±0.5	APPR BY ZHAN

THIRD ANGLE PROJECTION



D-SUB Connector,R/A,
Through Hole,3.08mm,Male

RHTAYD15-15-M-L