

RECOMMENDED PCB LAYOUT
TOLERANCE:±0.05mm

Material

Housing:Hing Temperature Thermoplastic,
UL94V-0 LCP,Black/White.

Contact:Copper Alloy C2680

Shell:Copper Alloy C2680/SPCC

Finish:

Contact:Plated Gold In Mating Area;Tin On Solder Tails

Shell:Nickel Plating

Electrical:

Current Rating:1.5A/Contact Terminal.

Voltage Rating:30V DC

Contact Resistance:30mΩ Max.

Dielectric Withstanding Voltage:500 V AC AT Sea Level.

Insulation Resistance: 1000MΩ Min.

Connector Mate And Unmated Force

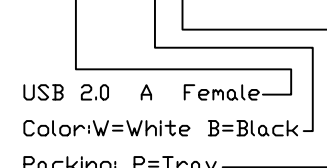
Mate Force:3.75kgf Max.

Unmated Force:1.02kgf Min.

Terminal Retention:1.2kgf Min

Order Information

RHTAY81E-B-R



USB 2.0 A Female

Color:W=White B=Black

Packing: P=Tray

R=Tape On REEL



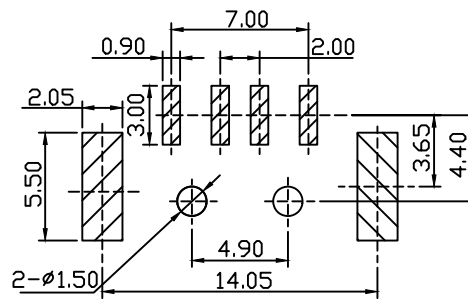
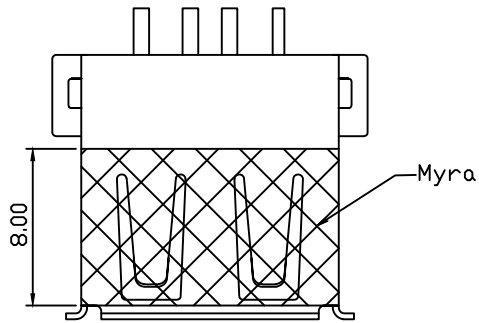
NINGBO RHT ELECTRONIC CO.,LTD

UNITS:mm	SHEET SIZE: A4	SCALE:---	DRWN BY PAN
0~3	3~18	18~50	50~120
±0.12	±0.15	±0.3	±0.5

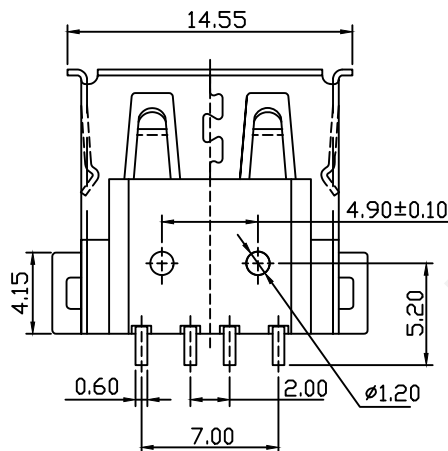
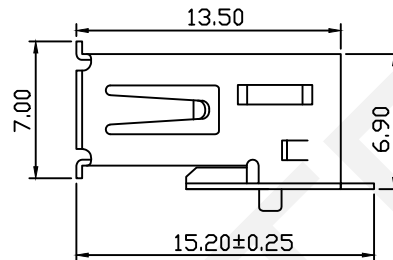
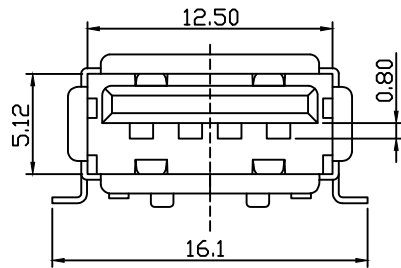
CHK'D BY FENG
APPR BY ZHAN

CONN COM TYPE A USB Female SMD	
THIRD ANGLE PROJECTION	RHTAY81E-X-X





RECOMMENDED PCB LAYOUT
TOLERANCE:±0.05mm



Material

Housing:Hing Temperature Thermoplastic,
UL94V-0 LCP,Black/White.

Contact:Copper Alloy C2680

Shell:Copper Alloy C2680/SPCC

Finish:

Contact:Plated Gold In Mating Area;Tin On Solder Tails

Shell:Nickel Plating

Electrical:

Current Rating:1.5A/Contact Terminal.

Voltage Rating:30V DC

Contact Resistance:30mΩ Max.

Dielectric Withstanding Voltage:500 V AC AT Sea Level.

Insulation Resistance: 1000MΩ Min.

Connector Mate And Unmated Force

Mate Force:3.75kgf Max.

Unmated Force:1.02kgf Min.

Terminal Retention:1.2kgf Min

Order Information

RHTAY827-B-R

USB 2.0 A Female

Color:W=White B=Black

Packing: P=Tray

R=Tape On REEL

RHTECP NINGBO RHT ELECTRONIC CO.,LTD

UNITS:mm	SHEET SIZE: A4			SCALE:---
0~3	3~18	18~50	50~120	
±0.12	±0.15	±0.3	±0.5	

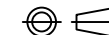
DRWN BY PAN

CHK'D BY FENG

APPR BY ZHAN

CONN COM TYPE A USB Female SMD

THIRD ANGLE PROJECTION



RHTAY827-X-X