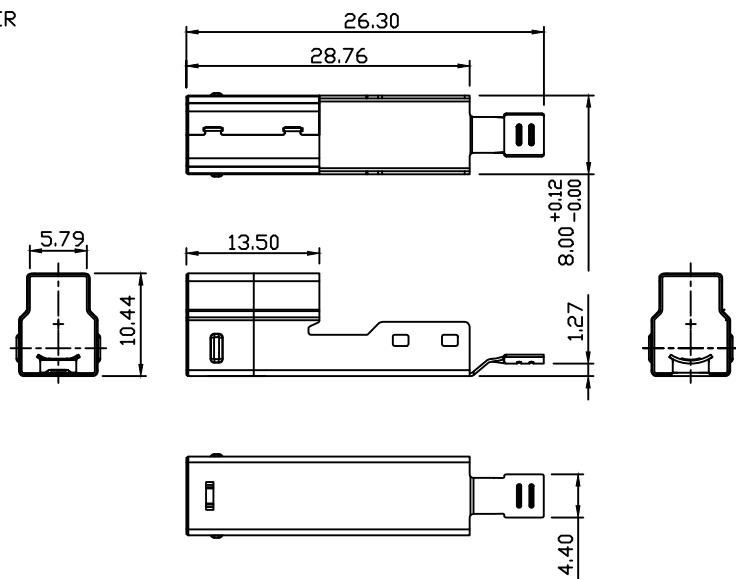
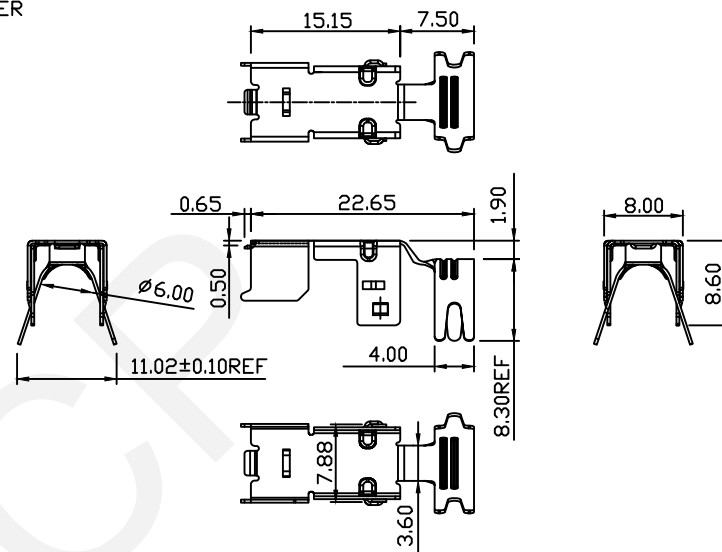


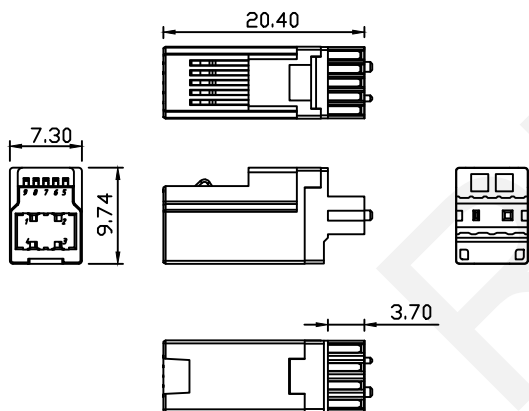
DOWN COVER



UP COVER



Housing



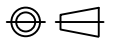
Material  
 Housing: 30% Glass Filled PBT UL94V-0  
 Contacts: Copper  
 Pin Plated: Gold 3u' Over 50u' Nickel  
 Shell: Spcc,Nickel Plated  
 Electrical  
 Contact Current Rating:1.8A  
 Withstanding Voltage:500VAC(Rms)  
 Contact Resistance: 30mΩ Max  
 Insulation Resistance:1000MΩ Min  
 Mechanical  
 Operating Temperature:-30°C TO +80°C

Order Information  
**RHTAYA48**  
 USB 3.0 Type B Male

**RHTECP** NINGBO RHT ELECTRONIC CO.,LTD

UNITS:mm	SHEET SIZE: A4			SCALE:---
0~3	3~18	18~50	50~120	
±0.12	±0.15	±0.3	±0.5	

DRWN BY PAN  
 CHK'D BY FENG  
 APPR BY ZHAN

USB 3.0 Type B Male CONN  
 THIRD ANGLE PROJECTION  
  
**RHTAYA48**