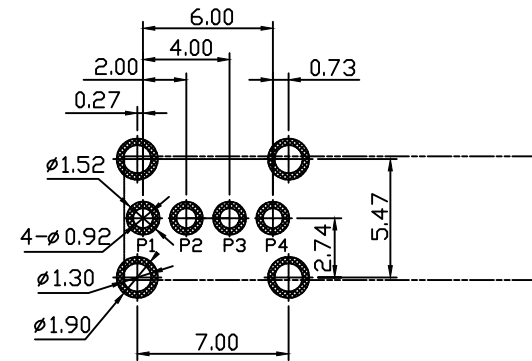
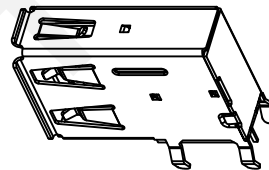
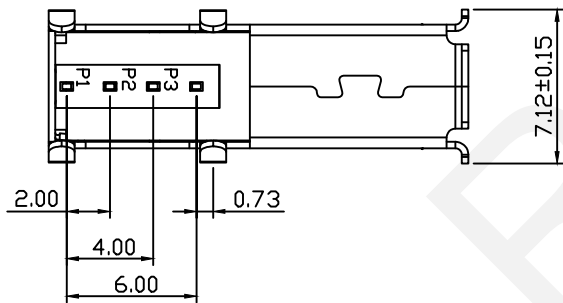


Material:
 Insulator:PBT,UL94V-0
 Contact:Copper Alloy C2680H
 Shell:Copper Alloy

Finish:
 Contact:Plated Gold In Mating Area, Tin On Solder Talls.
 Shell:Nickel Plating

Electrical:Contact Resistance:30mΩ Max.
 Dielectric Withstanding Voltage:500 V AC AT Sea Level.
 Insulation Resistance:1000MΩ Min

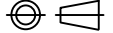


RECOMMENDED PCB LAYOUT TOP VIEW
 PCB THICKNESS=160mm:TOL.±0.05

RHTECP NINGBO RHT ELECTRONIC CO.,LTD

UNITS:mm	SHEET SIZE: A4		SCALE:---	
0~3	3~18	18~50	50~120	
±0.12	±0.15	±0.3	±0.5	

DRWN BY PAN
 CHK'D BY FENG
 APPR BY ZHAN

USB AF 90degree-Opposite Direction,
 Side Entry With Back Cap
 THIRD ANGLE PROJECTION

 RHTAY91C-4P-W