

1 2 3 4 5 6 7 8 9

A

B

C

D

E

F

A

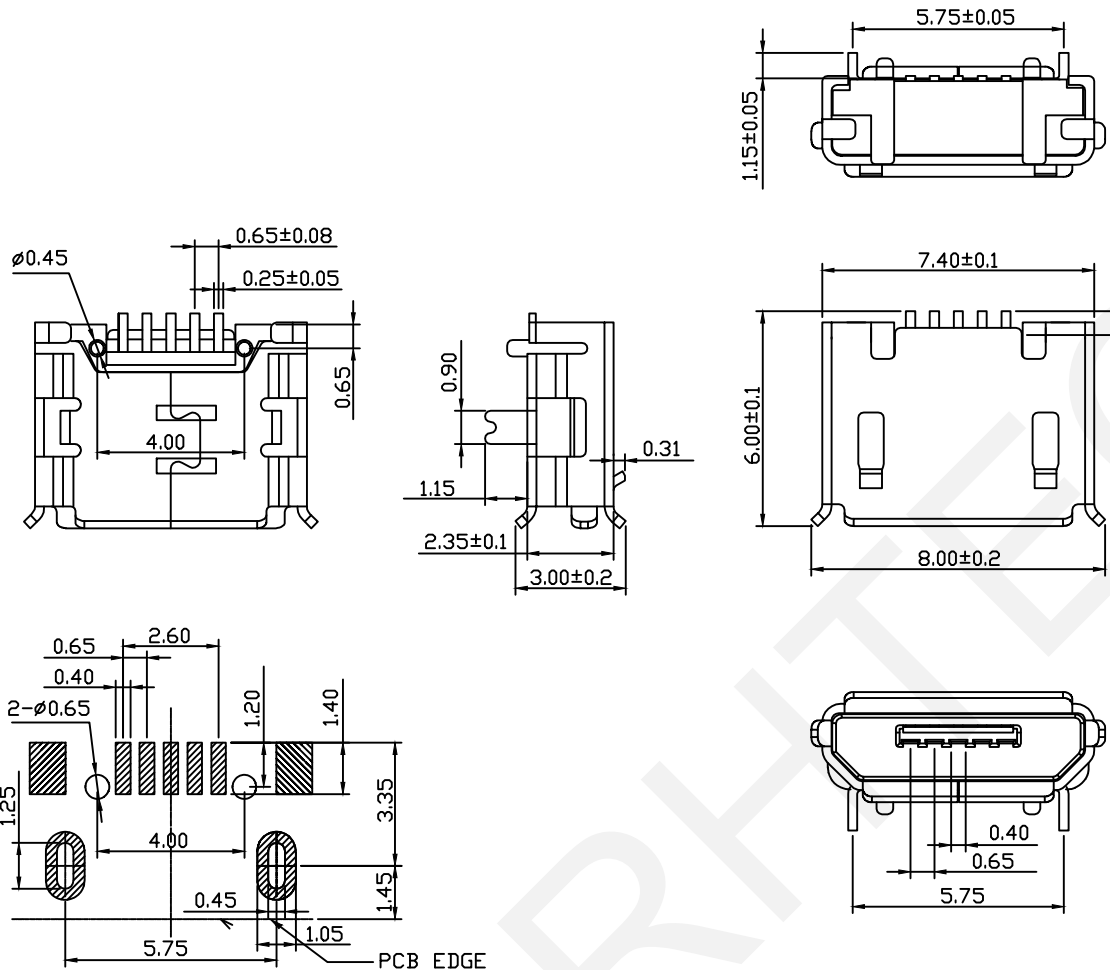
B

C

D

E

F



RECOMMENDED PCB LAYOUT
TOL±0.05

Material
 Housing:High Temperature Thermoplastic,
 UL94V-0 LCP,Black
 Contact:Copper Alloy C2680
 Shell:Copper Alloy C2680

Finish:
 Contact:Plated Gold In Mating Area:Tin On Solder Tails
 Shell:Nickel Plating

Electrical:
 Current Rating:1.0A/Contact Terminal.
 Voltage Rating:30V DC
 Contact Resistance:50mΩ Max.
 Dielectric Withstanding Voltage:300 V AC AT Sea Level.
 Insulation Resistance: 100MΩ Min.
 Connector Mate And Unmated Force
 Mate Force:3.0kgf Max.
 Unmated Force:0.7kgf Min.
 Terminal Retention:0.5kgf Min

Order Information
RHTAY245-B-R
 Micro USB
 Color:B-Black
 R-Reel Packing

RHTECP NINGBO RHT ELECTRONIC CO.,LTD

UNITS:mm	SHEET SIZE: A4	SCALE:---	DRWN BY PAN
0~3	3~18	18~50	50~120
±0.12	±0.15	±0.3	±0.5

CHK'D BY FENG
 APPR BY ZHAN

CONN RCPT 5POS MICRO USB DIP 5.9mm
 THIRD ANGLE PROJECTION

 RHTAY245-B-R

1 2 3 4 5 6 7 8 9

G

G