

RECOMMENDED PCB LAYOUT(TOP VIEW)  
TOLERANCE:±0.05mm

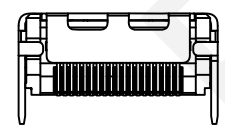
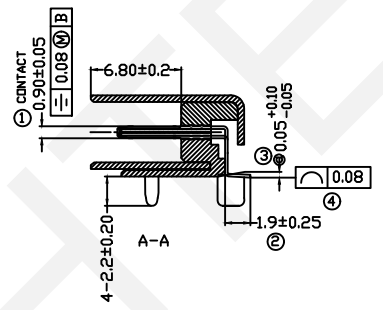
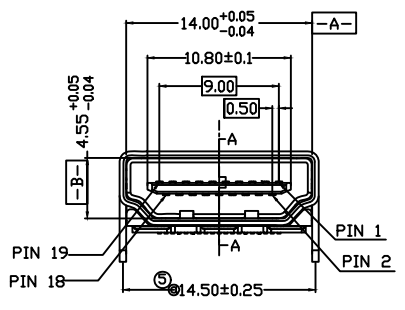
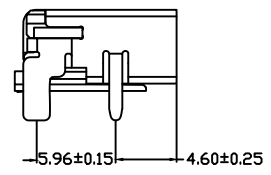
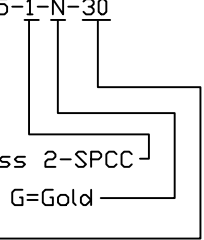
Material:Housing : LCP, UL94V-0  
Cover Terminal: Phosphor Bronze  
Shell: Brass/SPCC

Electrical:  
Current Rating : 0.5A  
Dielectric Withstanding Voltage: 40V AC Per Minute  
Insulation Resistance :100MΩ MIN  
Contact Resistance :30MΩ MAX  
Operating Temperature: -25°C~+85°C

ORDER INFORMATION

Product NO.:RHTAYB85-1-N-30

Shell Material: 1-Brass 2-SPCC  
Shell Plate: N=Nickel G=Gold  
Terminal Plate:  
1=1U"/3=3U"/5=5U"/10=10U"/15=15U"/30=30U



**RHTECP** NINGBO RHT ELECTRONIC CO.,LTD

UNITS:mm	SHEET SIZE: A4			SCALE:---	DRWN BY PAN
0~3	3~18	18~50	50~120	CHK'D BY FENG	
±0.12	±0.15	±0.3	±0.5	APPR BY ZHAN	

DRWN BY PAN  
CHK'D BY FENG  
APPR BY ZHAN

HDMI Connector Female  
THIRD ANGLE PROJECTION  
RHTAYB85-1-N-30