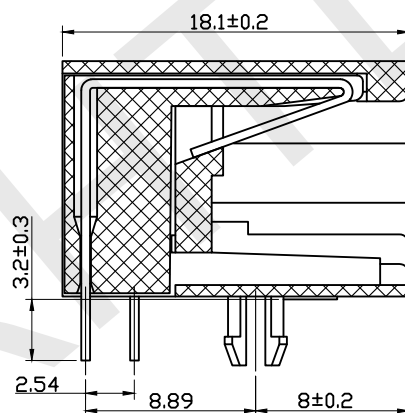
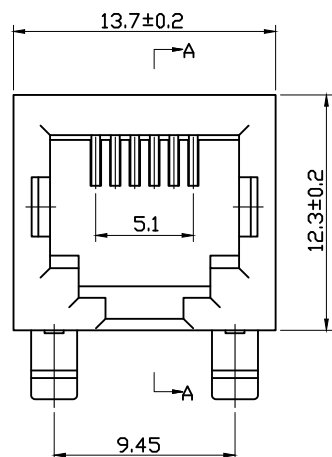


PCB Layout



SECTION A-A

Material:  
 Housing: PBT+Glass Filled Polyester  
 Flammability Rating: UL94 V-0  
 Contacts: Phosphor Bronze 0.46mm  
 Plating: Gold Plating  
 Electrical:  
 Voltage Rating: 125VAC  
 Current Rating: 1.5A  
 Contact Resistance: 30mΩ Max.  
 Insulation Resistance: 500MΩ Min.  
 Dielectric Strength: 1000VAC Rms 50Hz, 1 Min.  
 Durability: 600 cycles Min.  
 Operation Temperature: -40°C+ 70°C

Order Information

RHTLY02-6P6C-1-XX  
 Contacts: 6P6C  
 Color code: 1-Black  
 Plating Code:  
 01-Fu' Gold Plating  
 02-3u' Gold Plating  
 03-6u' Gold Plating  
 04-15u' Gold Plating  
 05-30u' Gold Plating