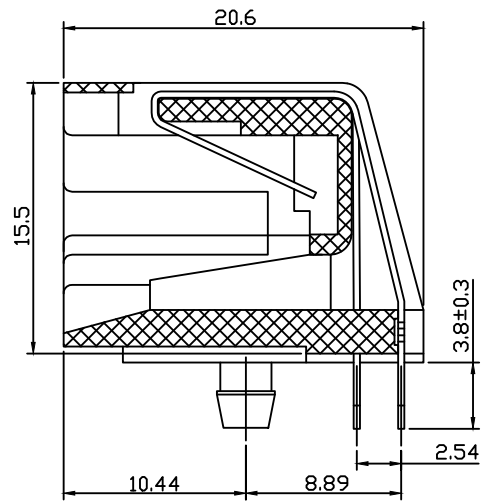
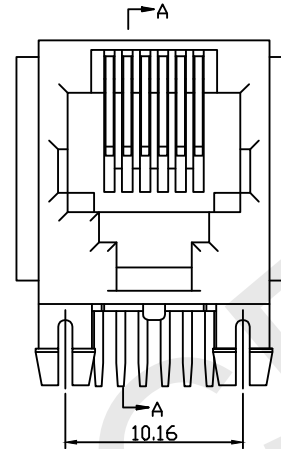


With Panel



SECTION A-A



Material:

Housing: PBT+Glass Filled Polyester

Flammability Rating: UL94 V-0

Contacts: Phosphor Bronze

Plating: Gold Plating

Electrical:

Voltage Rating: 125VAC

Current Rating: 1.5A

Contact Resistance: 30Ω Max.

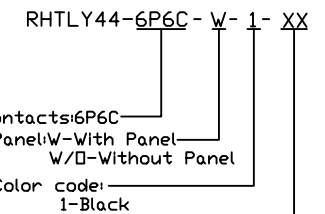
Insulation Resistance: 500Ω Min.

Dielectric Strength: 1000VAC Rms. 50Hz, 1 Min.

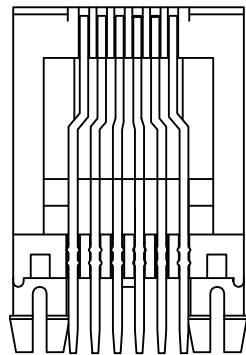
Durability: 600cycles Min.

Operation Temperature: -40°C~+70°C

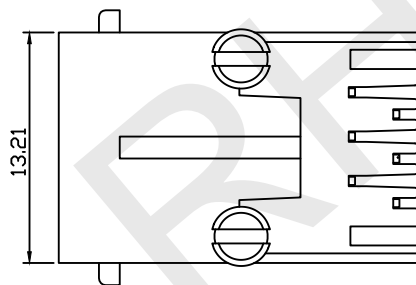
Order Information



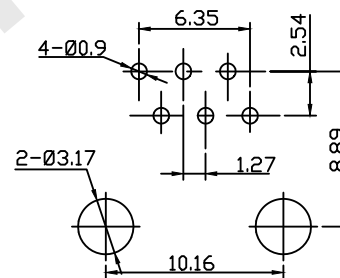
Plating Code:  
 01-Fu" Gold Plating  
 02-3u" Gold Plating  
 03-6u" Gold Plating  
 04-15u" Gold Plating  
 05-30u" Gold Plating



Without Panel



PCB Layout



**RHTECP** NINGBO RHT ELECTRONIC CO.,LTD

UNITS:mm	SHEET SIZE: A4			SCALE:---	DRWN BY PAN
0~3	3~18	18~50	50~120	CHK'D BY FENG	
±0.12	±0.15	±0.3	±0.5	APPR BY ZHAN	

RJ12-6P6C Modular jacks	
THIRD ANGLE PROJECTION 	RHTLY44-6P6C-X-X-XX