

Safety Approval : UL Water Proof IP≥55
 Subminiature Aviation Linkers Are Widely Used For The
 Hi-Tech Trade. The Appearances Of The Products Has
 Two Kinds, Plug-type And Thread Type. Used In The
 Installation Of The Panel, Small, Exquisite And Sensitive.
 It's Nickel-plated And Easy To Plug-in.

Electrical Characteristics:

Rated Current: 2-4P:7A
 5P:5A
 6-10P:4A

Rated Voltage: 125V

Operation Voltage: 200 VAC

Withstanding Voltage : 1500 VAC

Insulation resistance : 2000MΩ DC 500V

Contact Resistance: 10 mΩ DC1A

Solder Cup Mouth Diameter: 2-4P:1.6mm

5P:1.2mm

6-10P:0.9mm

Solder Diameter: 2-4P:2.45mm

5P:2mm

6-10P:1.15mm

ORDER INFORMATION

Product No.: RHTDY25-M16-2 F1

Pos No. _____

Dental Regulations: M16 _____

Number Of Contacts: 2,3,4,5,6,7,8,9,10P _____

TYPE Ordering

2P	3P	4P	5P	6P
7P	8P	9P	10P	

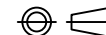


RHTECP NINGBO RHT ELECTRONIC CO.,LTD

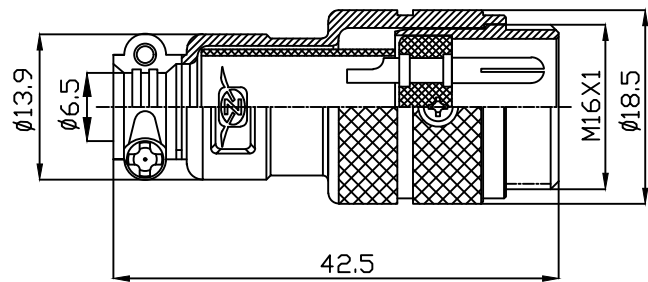
UNITS:mm	SHEET SIZE: A4			SCALE:---	DRWN BY PAN
0~3	3~18	18~50	50~120	CHK'D BY FENG	
±0.12	±0.15	±0.3	±0.5	APPR BY ZHAN	

Connectors Industrial Circular Series

THIRD ANGLE PROJECTION



RHTDY25-M16-2-F1



ORDER INFORMATION

Product No.: RHTDY25-M16-2 F2

Pos No. _____

Dental Regulations: M16

Number Of Contacts: 2,3,4,5,6,7,8,9,10P

TYPE Ordering

2P	3P	4P	5P	6P
7P	8P	9P	10P	



Safety Approval : UL Water Proof IP≥55

Subminiature Aviation Linkers Are Widely Used For The Hi-Tech Trade. The Appearances Of The Products Has Two Kinds, Plug-type And Thread Type. Used In The Installation Of The Panel, Small, Exquisite And Sensitive. It's Nickel-plated And Easy To Plug-in.

Electrical Characteristics:

Rated Current: 2-4P:7A

5P:5A

6-10P:4A

Rated Voltage: 125V

Operation Voltage: 200 VAC

Withstanding Voltage : 1500 VAC

Insulation resistance : 2000MΩ DC 500V

Contact Resistance: 10 mΩ DC1A

Solder Cup Mouth Diameter: 2-4P:1.6mm

5P:1.2mm

6-10P:0.9mm

Solder Diameter: 2-4P:2.45mm

5P:2mm

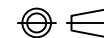
6-10P:1.15mm

RHTECP NINGBO RHT ELECTRONIC CO.,LTD

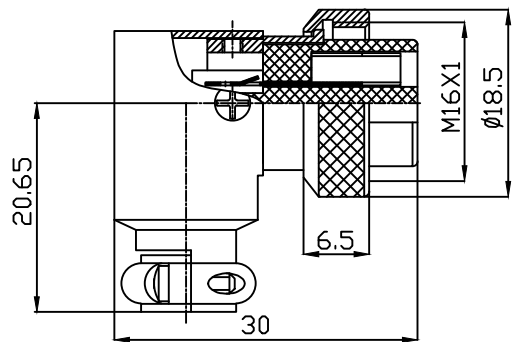
UNITS:mm	SHEET SIZE: A4			SCALE:---	DRWN BY PAN
0~3	3~18	18~50	50~120	CHK'D BY FENG	
±0.12	±0.15	±0.3	±0.5	APPR BY ZHAN	

Connectors Industrial Circular Series

THIRD ANGLE PROJECTION



RHTDY25-M16-2-F2



ORDER INFORMATION

Product No.: RHTDY25-M16-2 F3

Pos No. _____

Dental Regulations: M16 _____

Number Of Contacts: 2,3,4,5,6,7,8,9,10P _____

TYPE Ordering

2P	3P	4P	5P	6P
7P	8P	9P	10P	



Safety Approval : UL Water Proof IP255

Subminiature Aviation Linkers Are Widely Used For The Hi-Tech Trade. The Appearances Of The Products Has Two Kinds, Plug-type And Thread Type. Used In The Installation Of The Panel, Small, Exquisite And Sensitive. It's Nickel-plated And Easy To Plug-in.

Electrical Characteristics:

Rated Current: 2-4P:7A

5P:5A

6-10P:4A

Rated Voltage:125V

Operation Voltage: 200 VAC

Withstanding Voltage :1500 VAC

Insulation resistance :2000MΩ DC 500V

Contact Resistance: 10 mΩ DC1A

Solder Cup Mouth Diameter: 2-4P:1.6mm

5P:1.2mm

6-10P:0.9mm

Solder Diameter: 2-4P:2.45mm

5P:2mm

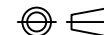
6-10P:1.15mm

RHTECP NINGBO RHT ELECTRONIC CO.,LTD

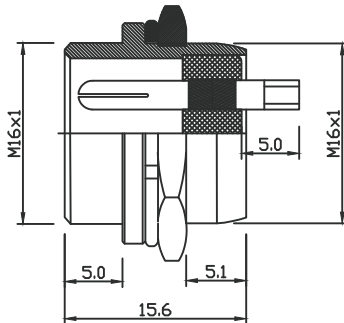
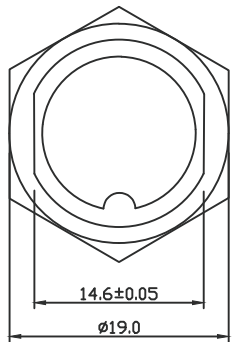
UNITS:mm	SHEET SIZE: A4			SCALE:---	DRWN BY PAN
0~3	3~18	18~50	50~120	CHK'D BY FENG	
±0.12	±0.15	±0.3	±0.5	APPR BY ZHAN	

Connectors Industrial Circular Series

THIRD ANGLE PROJECTION



RHTDY25-M16-2-F3



Safety Approval : UL Water Proof IP≥55
 Subminiature Aviation Linkers Are Widely Used For The
 Hi-Tech Trade. The Appearances Of The Products Has
 Two Kinds, Plug-type And Thread Type. Used In The
 Installation Of The Panel, Small, Exquisite And Sensitive.
 It's Nickel-plated And Easy To Plug-in.

Electrical Characteristics:

Rated Current: 2-4P:7A

5P:5A

6-10P:4A

Rated Voltage: 125V

Operation Voltage: 200 VAC

Withstanding Voltage : 1500 VAC

Insulation resistance : 2000MΩ DC 500V

Contact Resistance: 10 mΩ DC1A

Solder Cup Mouth Diameter: 2-4P:1.6mm

5P:1.2mm

6-10P:0.9mm

Solder Diameter: 2-4P:2.45mm

5P:2mm

6-10P:1.15mm

ORDER INFORMATION

Product No.: RHTDY25-M16-2 M1

Pos No. _____

Dental Regulations: M16

Number Of Contacts: 2,3,4,5,6,7,8,9,10P

TYPE Ordering

2P	3P	4P	5P	6P
7P	8P	9P	10P	

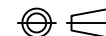


RHTECP NINGBO RHT ELECTRONIC CO.,LTD

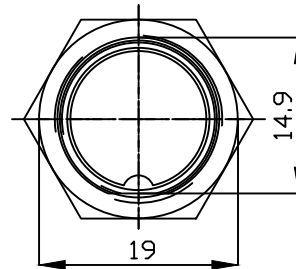
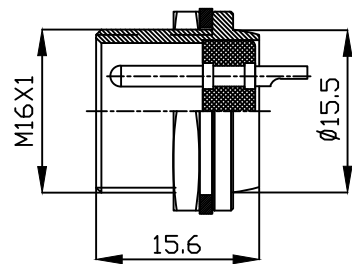
UNITS:mm	SHEET SIZE: A4			SCALE:---	DRWN BY PAN
0~3	3~18	18~50	50~120	CHK'D BY FENG	
±0.12	±0.15	±0.3	±0.5	APPR BY ZHAN	

Connectors Industrial Circular Series

THIRD ANGLE PROJECTION



RHTDY25-M16-2-M1



ORDER INFORMATION

Product No.: RHTDY25-M16-2 M2

Pos No. _____

Dental Regulations: M16

Number Of Contacts: 2,3,4,5,6,7,8,9,10P

TYPE Ordering

2P	3P	4P	5P	6P
7P	8P	9P	10P	



Safety Approval : UL Water Proof IP≥55

Subminiature Aviation Linkers Are Widely Used For The Hi-Tech Trade. The Appearances Of The Products Has Two Kinds, Plug-type And Thread Type. Used In The Installation Of The Panel, Small, Exquisite And Sensitive. It's Nickel-plated And Easy To Plug-in.

Electrical Characteristics:

Rated Current: 2-4P:7A

5P:5A

6-10P:4A

Rated Voltage: 125V

Operation Voltage: 200 VAC

Withstanding Voltage : 1500 VAC

Insulation resistance : 2000MΩ DC 500V

Contact Resistance: 10 mΩ DC1A

Solder Cup Mouth Diameter: 2-4P:1.6mm

5P:1.2mm

6-10P:0.9mm

Solder Diameter: 2-4P:2.45mm

5P:2mm

6-10P:1.15mm

RHTECP NINGBO RHT ELECTRONIC CO.,LTD

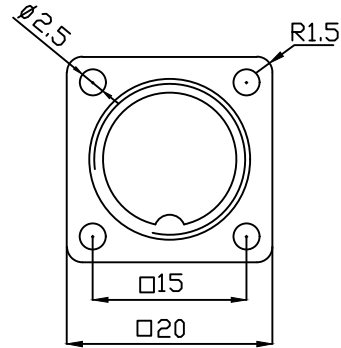
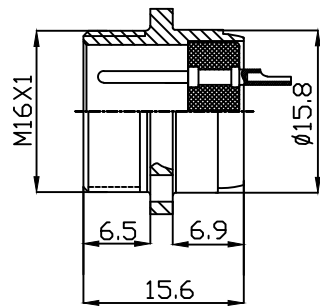
UNITS:mm	SHEET SIZE: A4			SCALE:---	DRWN BY PAN
0~3	3~18	18~50	50~120	CHK'D BY FENG	
±0.12	±0.15	±0.3	±0.5	APPR BY ZHAN	

Connectors Industrial Circular Series

THIRD ANGLE PROJECTION



RHTDY25-M16-2-M2



ORDER INFORMATION

Product No.: RHTDY25-M16-2 M3

Pos No. _____

Dental Regulations: M16 _____

Number Of Contacts: 2,3,4,5,6,7,8,9,10P _____

TYPE Ordering

2P	3P	4P	5P	6P
7P	8P	9P	10P	



Safety Approval : UL Water Proof IP≥55

Subminiature Aviation Linkers Are Widely Used For The Hi-Tech Trade. The Appearances Of The Products Has Two Kinds, Plug-type And Thread Type. Used In The Installation Of The Panel, Small, Exquisite And Sensitive. It's Nickel-plated And Easy To Plug-in.

Electrical Characteristics:

Rated Current: 2-4P:7A

5P:5A

6-10P:4A

Rated Voltage: 125V

Operation Voltage: 200 VAC

Withstanding Voltage : 1500 VAC

Insulation resistance : 2000MΩ DC 500V

Contact Resistance: 10 mΩ DC1A

Solder Cup Mouth Diameter: 2-4P:1.6mm

5P:1.2mm

6-10P:0.9mm

Solder Diameter: 2-4P:2.45mm

5P:2mm

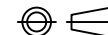
6-10P:1.15mm

RHTECP NINGBO RHT ELECTRONIC CO.,LTD

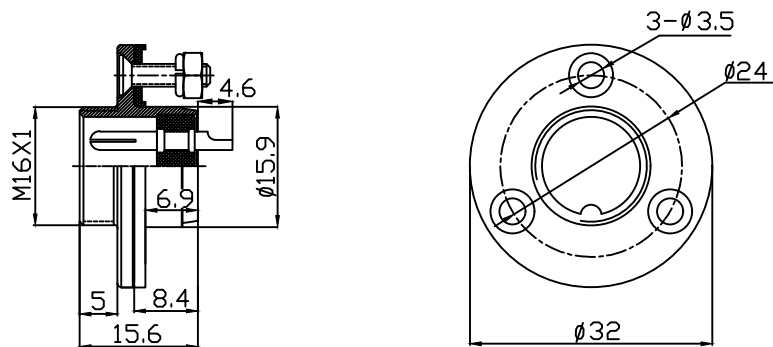
UNITS:mm	SHEET SIZE: A4			SCALE:---	DRWN BY PAN
0~3	3~18	18~50	50~120	CHK'D BY FENG	
±0.12	±0.15	±0.3	±0.5	APPR BY ZHAN	

Connectors Industrial Circular Series

THIRD ANGLE PROJECTION



RHTDY25-M16-2-M3



Safety Approval : UL Water Proof IP55
 Subminiature Aviation Linkers Are Widely Used For The Hi-Tech Trade. The Appearances Of The Products Has Two Kinds, Plug-type And Thread Type. Used In The Installation Of The Panel, Small, Exquisite And Sensitive. It's Nickel-plated And Easy To Plug-in.

Electrical Characteristics:

Rated Current: 2-4P:7A
 5P:5A
 6-10P:4A

Rated Voltage:125V

Operation Voltage: 200 VAC

Withstanding Voltage :1500VAC

Insulation resistance :2000MΩ DC 500V

Contact Resistance: 10 mΩ DC1A

Solder Cup Mouth Diameter: 2-4P:1.6mm

5P:1.2mm

6-10P:0.9mm

Solder Diameter: 2-4P:2.45mm

5P:2mm

6-10P:1.15mm

ORDER INFORMATION

Product No.: RHTDY25-M16-2 M4

Pos No. _____

Dental Regulations: M16 _____

Number Of Contacts:2,3,4,5,6,7,8,9,10P _____

TYPE Ordering

2P	3P	4P	5P	6P
7P	8P	9P	10P	

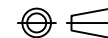


RHTECP NINGBO RHT ELECTRONIC CO.,LTD

UNITS:mm	SHEET SIZE: A4			SCALE:---	DRWN BY PAN
0~3	3~18	18~50	50~120	CHK'D BY FENG	
±0.12	±0.15	±0.3	±0.5	APPR BY ZHAN	

Connectors Industrial Circular Series

THIRD ANGLE PROJECTION



RHTDY25-M16-2-M4