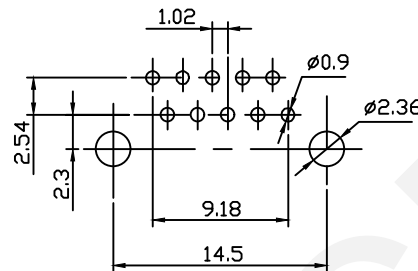
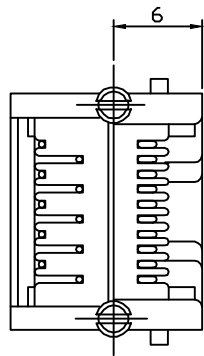


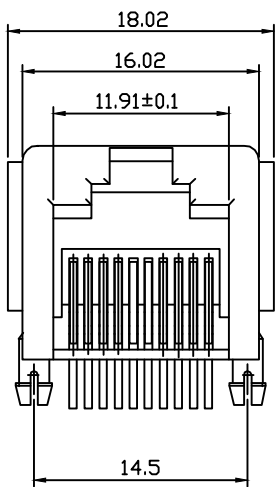
Without Panel



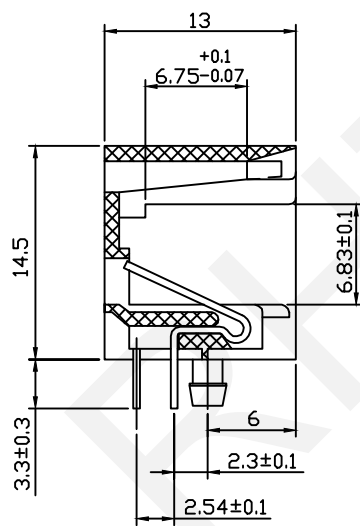
PCB Layout

Material:
 Housing: PBT+Glass Filled Polyester
 Flammability Rating : UL94V-0
 Contacts: Phosphor Bronze $\varnothing 0.46\text{mm}$
 Plating: Gold Plating

Electrical:
 Voltage Rating: 125VAC
 Current Rating: 1.5A
 Contact Resistance: $30\text{m}\Omega$ Max.
 Insulation Resistance: $500\text{M}\Omega$ Min.
 Dielectric Strength: 1000VAC Rms 50Hz, 1 Min.
 Durability: 600 Cycles Min.
 Operation Temperature: $-40^{\circ}\text{C} \sim +70^{\circ}\text{C}$



With Panel



SECTION A-A

Order Information

RHTLY04-10P10C-W-1-XX

Contacts: 10P10C
 Panel: W-With Panel
 W/D-Without Panel
 Color Code: _____
 1-Black 2-Gray
 Plating Code: _____
 01-Fu*Gold Plating 02-3u*Gold Plating
 03-6u*Gold Plating 04-15u*Gold Plating
 05-30u*Gold Plating

RHTECP NINGBO RHT ELECTRONIC CO.,LTD

UNITS:mm	SHEET SIZE: A4			SCALE:---	DRWN BY PAN
0~3	3~18	18~50	50~120	CHK'D BY FENG	
±0.12	±0.15	±0.3	±0.5	APPR BY ZHAN	

RJ52-10P10C Modular Jacks
 THIRD ANGLE PROJECTION
 RHTLY04-10P10C-X-X-XX