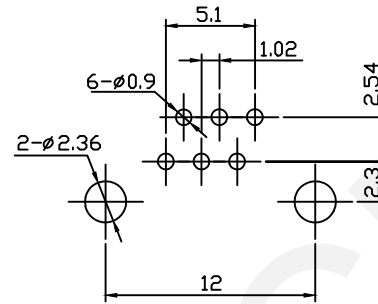
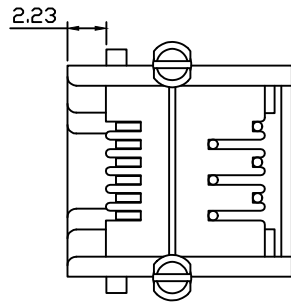
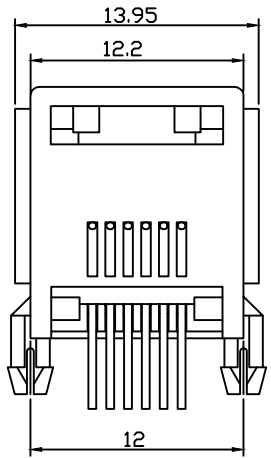


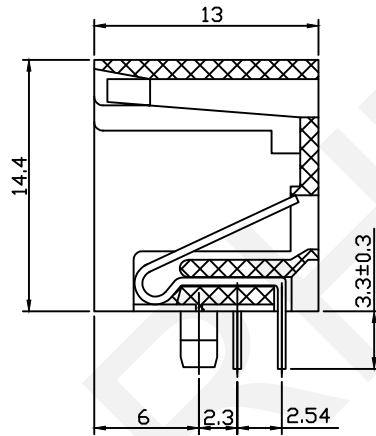
Without Panel



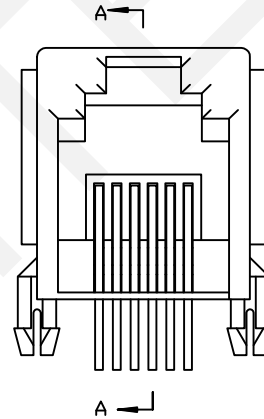
PCB Layout



With Panel



SECTION A-A



Material:
 Housing:PBT+Glass Filled Polyester
 Flammability Rating : UL94V-0
 Contacts: Phosphor Bronze $\varnothing 0.46\text{mm}$
 Plating:Gold Plating

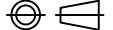
Electrical:
 Voltage Rating:125VAC
 Current Rating:1.5A
 Contact Resistance:30m Ω Max.
 Insulation Resistance: 500M Ω Min.
 Dielectric Strength:1000VAC Rms50Hz, 1 Min.
 Durability:600 Cycles Min.
 Operation Temperature:-40 $^{\circ}\text{C}$ ~+70 $^{\circ}\text{C}$

Order Information
 RHTLY24-6P6C-W-1-XX

Contacts:6P6C
 Panel: W-With Panel
 WD-Without Panel
 Color Code: _____
 1-Black 2-Gray
 Plating Code: _____
 01-Fu*Gold Plating 02-3u*Gold Plating
 03-6u*Gold Plating 04-15u*Gold Plating
 05-30u*Gold Plating

RHTECP NINGBO RHT ELECTRONIC CO.,LTD

UNITS:mm	SHEET SIZE: A4			SCALE:---	DRWN BY PAN
0~3	3~18	18~50	50~120	CHK'D BY FENG	
± 0.12	± 0.15	± 0.3	± 0.5	APPR BY ZHAN	

RJ12-6P6C 1X1 Modular Jacks
 THIRD ANGLE PROJECTION

 RHTLY24-6P6C-X-X-XX