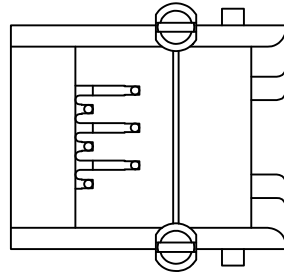
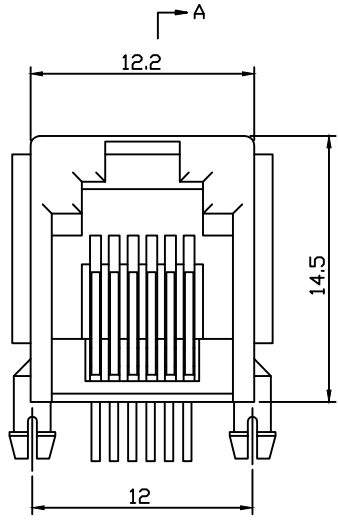
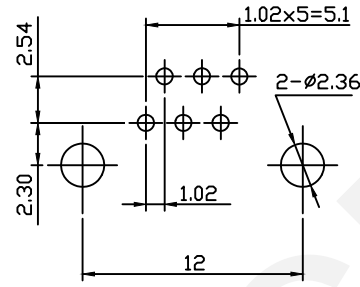


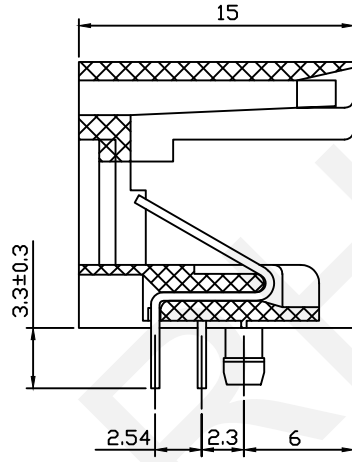
Without Panel



PCB Layout



With Panel



SECTION A-A

Material:
 Housing:PBT+Glass Filled Polyester
 Flammability Rating : UL94V-0
 Contacts: Phosphor Bronze Ø0.46mm
 Plating:Gold Plating

Electrical:
 Voltage Rating:125VAC
 Current Rating:1.5A
 Contact Resistance:30mΩ Max.
 Insulation Resistance: 500MΩ Min.
 Dielectric Strength:1000VAC Rms50Hz, 1 Min.
 Durability:600 Cycles Min.
 Operation Temperature:-40℃~+70℃

Order Information
 RHTLY25-6P6C-W-1-XX

Contacts:6P6C
 Panel: W-With Panel
 W/□-Without Panel
 Color Code: _____
 1-Black 2-Gray
 Plating Code: _____
 01-Fu*Gold Plating 02-3u*Gold Plating
 03-6u*Gold Plating 04-15u*Gold Plating
 05-30u*Gold Plating

RHTECP NINGBO RHT ELECTRONIC CO.,LTD

UNITS:mm	SHEET SIZE: A4			SCALE:---	DRWN BY PAN
0~3	3~18	18~50	50~120	CHK'D BY FENG	
±0.12	±0.15	±0.3	±0.5	APPR BY ZHAN	

RJ12-6P6C Modular Jacks
 THIRD ANGLE PROJECTION
 RHTLY25-6P6C-X-X-XX