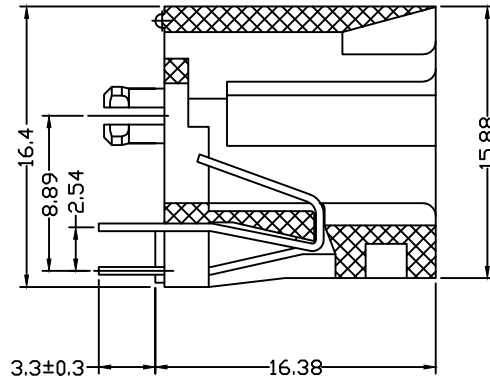
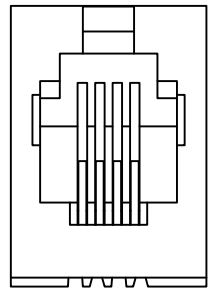
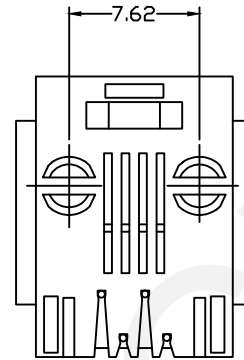


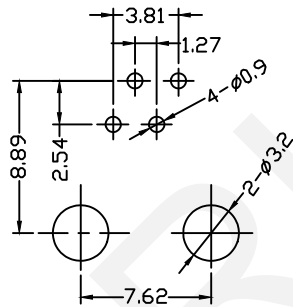
With Panel



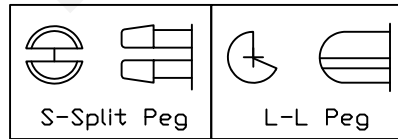
SECTION A-A



Without Panel



PCB Layout



Material:
 Housing:PBT+Glass Filled Polyester
 Flammability Rating : UL94V-0
 Contacts: Phosphor Bronze Ø0.46mm
 Plating:Gold Plating

Electrical:
 Voltage Rating:125VAC
 Current Rating:1.5A
 Contact Resistance:30mΩ Max.
 Insulation Resistance: 500MΩ Min.
 Dielectric Strength:1000VAC Rms50Hz, 1 Min.
 Durability:600 Cycles Min.
 Operation Temperature:-40℃~+70℃

Order Information

RHTLY53-4P4C-X-X-1-XX

Contacts:4P4C

Panel: W-With Panel

W/□-Without Panel

Peg Code: _____

L-L Peg S-Split Peg

Color Code:1-Black _____

Plating Code: _____

01-Fu*Gold Plating 02-3u*Gold Plating
 03-6u*Gold Plating 04-15u*Gold Plating
 05-30u*Gold Plating

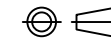


NINGBO RHT ELECTRONIC CO.,LTD

| | | | | | |
|----------|----------------|-------|--------|---------------|-------------|
| UNITS:mm | SHEET SIZE: A4 | | | SCALE:--- | DRWN BY PAN |
| 0~3 | 3~18 | 18~50 | 50~120 | CHK'D BY FENG | |
| ±0.12 | ±0.15 | ±0.3 | ±0.5 | APPR BY ZHAN | |

RJ11-4P4C Vertical Modular Jacks,Black

THIRD ANGLE PROJECTION



RHTLY53-4P4C-X-X-1-XX