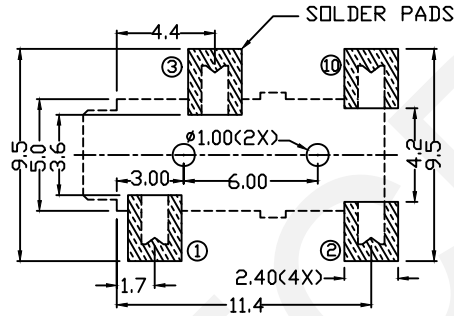
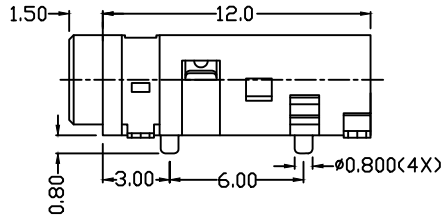
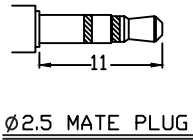


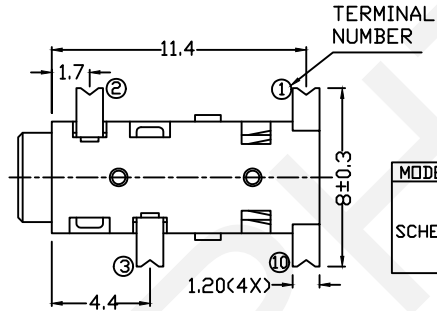
A DETAIL COPLANARITY



RECOMMENDED  
SOLDER PAD LAYOUT



Ø2.5 MATE PLUG



MODEL NO	001B	001A	001
SCHEMATIC			

Technical Parameters:

Rated Voltage:DC 30V

Rated Current: 0.5 A

Contact Resistance:0.03Ω,Max

Insulation Resistance:100MΩ,Min

Pressure:AC500V(50Hz)/1minute

Insertion Force:2-20 N

Life: 50000 Times

Operating Temperature:-30℃~70℃

Material:

Terminal1:Copper Alloy

Terminal2:Copper Alloy

Terminal3:Copper Alloy

Terminal10:Brass

Housing :PA6T

ORDER INFORMATION

RHTAY20PJ2.5-001A

2.5mm SMD Stereo Jack

Schematic See Annex

NINGBO RHT ELECTRONIC CO.,LTD

UNITS:mm	SHEET SIZE: A4	SCALE:---	DRWN BY PAN
0~3	3~18	18~50	50~120
±0.12	±0.15	±0.3	±0.5
CHK'D BY FENG		APPR BY ZHAN	

SMD Stereo Jack

THIRD ANGLE PROJECTION



RHTAY20PJ2.5-001