

Material:

Housing Material: PBT+15%G.F

Contact: Brass, Tin plated

Technical Parameters:

Contact Resistance:  $\leq 30m\Omega$

Insulation Resistance:  $\geq 100M\Omega$

Withstanding Voltage: 500V AC(50Hz)1min

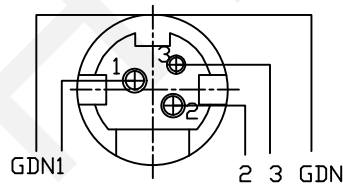
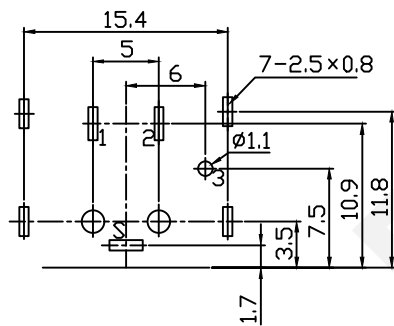
Rated Load: 1&2:20V DC 7.5A MAX; 3:20V DC 1A

Life:  $\geq 5000$  Times

Actuating Force: 10~50N

Operating Temperature:  $-25^{\circ}C \sim 70^{\circ}C$

PCB Mounting Hole Diagram



Circuit Diagram

ORDER INFORMATION

RHTAY88L-03-3 PIN

DC Power Jack

03-3 PIN; 04-4PIN

**RHTECP** NINGBO RHT ELECTRONIC CO.,LTD

UNITS:mm	SHEET SIZE: A4		SCALE:---
0~3	3~18	18~50	50~120
±0.12	±0.15	±0.3	±0.5

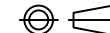
DRWN BY PAN

CHK'D BY FENG

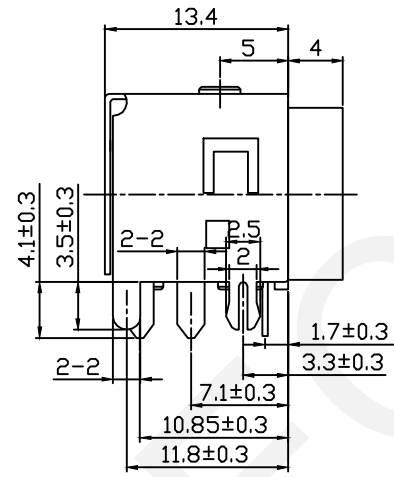
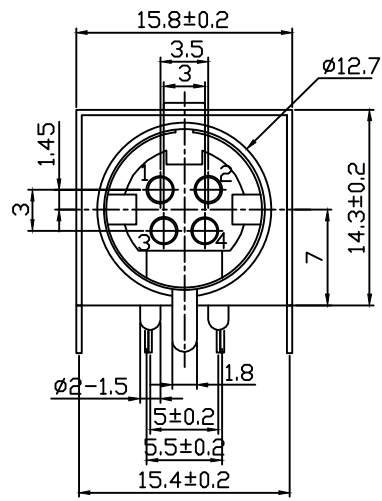
APPR BY ZHAN

DC Power Jack

THIRD ANGLE PROJECTION



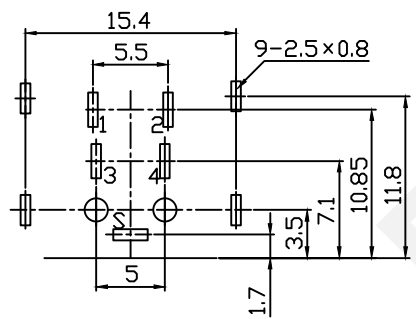
RHTAY88L



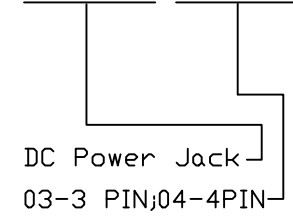
Material:  
 Housing Material: PBT+15%G.F  
 Contact: Brass, Tin plated

Technical Parameters:  
 Contact Resistance:  $\leq 30m\Omega$   
 Insulation Resistance:  $\geq 100M\Omega$   
 Withstanding Voltage: 250V AC(50Hz)1min  
 Rated Load: 7.5A 20V DC  
 Life:  $\geq 5000$  Times  
 Actuating Force: 10~50N  
 Operating Temperature:  $-25^{\circ}C \sim 70^{\circ}C$

PCB Mounting Hole Diagram



ORDER INFORMATION  
 RHTAY88L-04-4 PIN



NINGBO RHT ELECTRONIC CO.,LTD

UNITS:mm	SHEET SIZE: A4			SCALE:----	DRWN BY PAN
0~3	3~18	18~50	50~120	CHK'D BY FENG	
±0.12	±0.15	±0.3	±0.5	APPR BY ZHAN	

DC Power Jack	
THIRD ANGLE PROJECTION	RHTAY88L