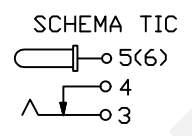
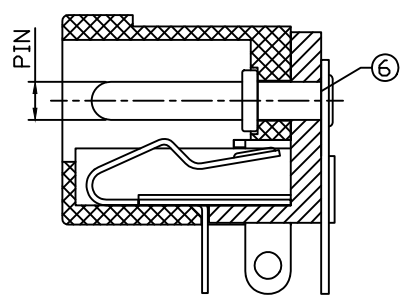
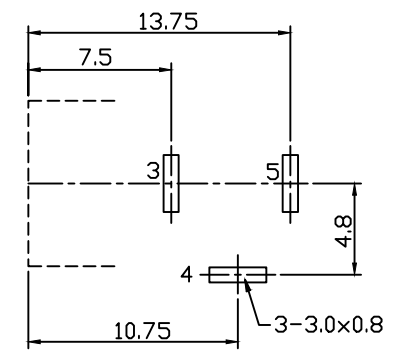
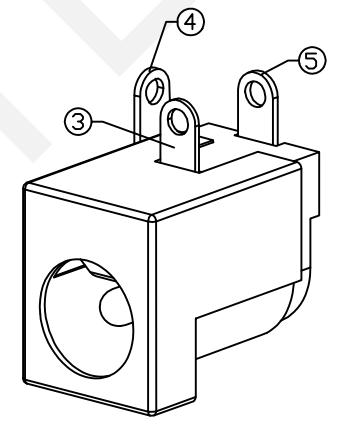


PCB LAYOUT TOP VIEW



PIN	$\phi 2.0$	$\phi 2.5$
APPD		



SPECIFICATION
 Rated Load:DC 30V 0.5A
 Contact Resistance:30m Ω , Max
 Insulation Resistance:100M Ω , Min
 Withstand Voltage:AC500V
 Actuating Force:3~20N
 Life:5000 Cycles
 Operating Temperature:-30°C~70°C

NO	Description	QTY	Material	Plating
1	Housing	1	PBT	---
2	Cover	1	PBT	---
3	Spring Piece	1	Bronze	Sn-Plating
4	Curve Piece	1	Brass	Sn-Plating
5	Flat Foot	1	Brass	Sn-Plating
6	PIN	1	Brass	Ni-Plating



NINGBO RHT ELECTRONIC CO.,LTD

UNITS:mm	SHEET SIZE: A4			SCALE:---	DRWN BY PAN
0~3	3~18	18~50	50~120	CHK'D BY FENG	
±0.12	±0.15	±0.3	±0.5	APPR BY ZHAN	

DC POWER Jack Connectors
 THIRD ANGLE PROJECTION
 RHTAYC-005A-2.0