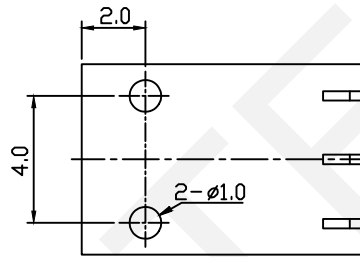
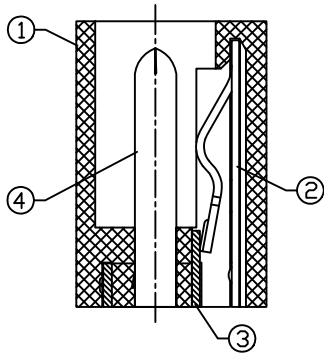
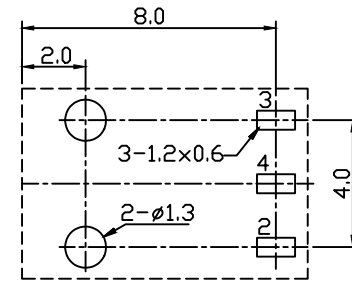
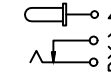


PCB LAYOUT TOP VIEW



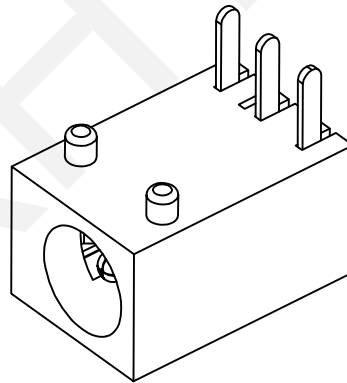
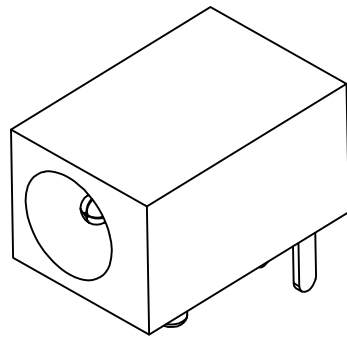
SCHEMATIC



PIN	1.0	1.3
APPD		

SPECIFICATION

Rated Load:DC 30V 1.0A  
 Contact Resistance:30mΩ, Max  
 Insulation Resistance:100MΩ, Min  
 Withstand Voltage:AC500V  
 Actuating Force:3-20N  
 Life:5000 Cycles  
 Operating Temperature:-30°C-70°C



NO	Description	QTY	Material	Plating
4	PIN	1	Brass	Ag-Plating
3	Curve Piece	1	Brass	Ag-Plating
2	Spring	1	SUS301	Ag-Plating
1	Housing	1	PA9T	---

**RHTECP** NINGBO RHT ELECTRONIC CO.,LTD

UNITS:mm	SHEET SIZE: A4			SCALE:---
0~3	3~18	18~50	50~120	
±0.12	±0.15	±0.3	±0.5	

DRWN BY PAN

CHK'D BY FENG

APPR BY ZHAN

DC POWER Jack DIP

THIRD ANGLE PROJECTION



RHTAYC-008