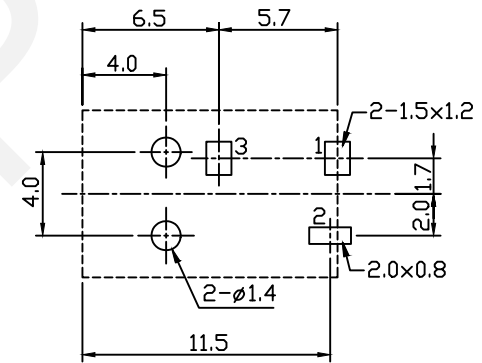


PCB LAYOUT TOP VIEW



NO	Description	QTY	Material	Plating
1	Flat Piece	1	Brass	Ag-Plating
2	Curve Piece	1	Brass	Ag-Plating
3	Spring	1	Stainless Steel	Ag-Plating
4	Housing	1	PBT/PA66/PC	---

SCHEMATIC



SPECIFICATION

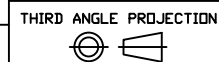
Rated Load:DC 30V 1.0A
 Contact Resistance:30mΩ, Max
 Insulation Resistance:100MΩ, Min
 Withstand Voltage:AC500V
 Actuating Force:3-20N
 Life:5000 Cycles
 Operating Temperature:-30°C-70°C



NINGBO RHT ELECTRONIC CO.,LTD

UNITS:mm	SHEET SIZE: A4		SCALE:---	
0~3	3~18	18~50	50~120	
±0.12	±0.15	±0.3	±0.5	

DRWN BY PAN
 CHK'D BY FENG
 APPR BY ZHAN



DC POWER Jack DIP

RHTAYC-034