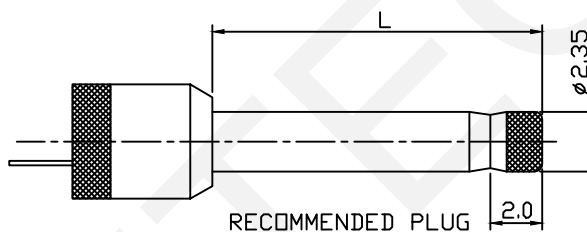
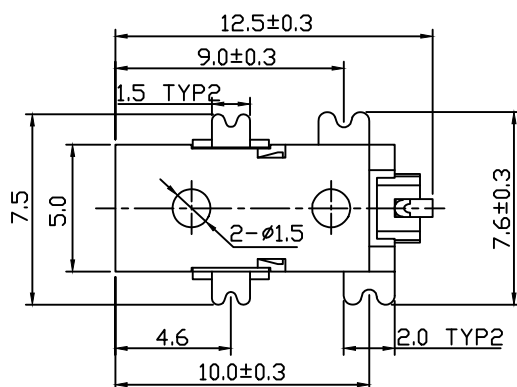


PCB LAYOUT TOP VIEW



RECOMMENDED PLUG

SPECIFICATION

Rated Load:DC 30V 1A

Contact Resistance:30mΩ, Max

Insulation Resistance:100MΩ, Min

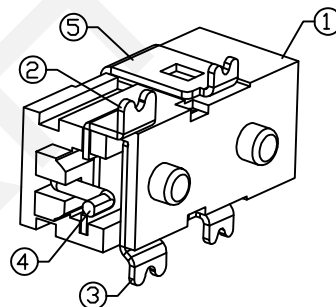
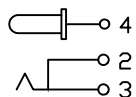
Withstand Voltage:AC500V

Actuating Force:3~20N

Life:5000 Cycles

Operating Temperature:-30°C~70°C

SCHEMATIC



NO	Description	QTY	Material	Plating
1	Housing	1	PA9T	---
2	Flat Piece	1	Brass	Ag-Plating
3	Spring	1	Bronze	Ag-Plating
4	PIN	1	Brass	Ag-Plating
5	Contact Foot	1	Brass	Ag-Plating

RHTECP NINGBO RHT ELECTRONIC CO.,LTD

UNITS:mm	SHEET SIZE: A4		SCALE:---	
0~3	3~18	18~50	50~120	
±0.12	±0.15	±0.3	±0.5	

DRWN BY PAN

CHK'D BY FENG

APPR BY ZHAN

DC POWER Jack SMT HORIZONTAL

THIRD ANGLE PROJECTION



RHTAYDC-003