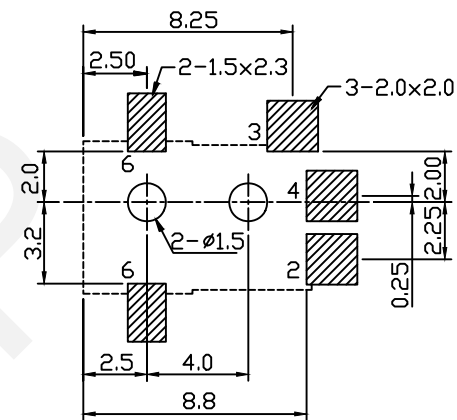
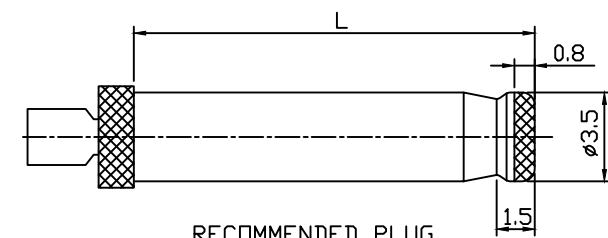
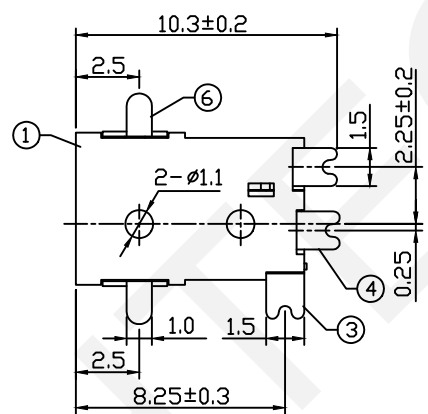


PCB LAYOUT TOP VIEW



SPECIFICATION

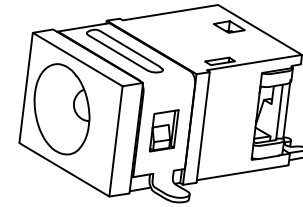
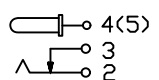
Rated Load:DC 30V 1A
 Contact Resistance:30mΩ, Max
 Insulation Resistance:100MΩ, Min
 Withstand Voltage:AC500V
 Actuating Force:3-20N
 Life:5000 Cycles
 Operating Temperature:-30°C-70°C



RECOMMENDED PLUG

NO	Description	QTY	Material	Plating
1	Housing	1	PA9T	---
2	Spring	1	Bronze	Ag-Plating
3	Curve Piece	1	Brass	Ag-Plating
4	Contact Foot	1	Brass	Ag-Plating
5	PIN	1	Brass	Ni-Plating
6	Contact Foot	1	Brass	Ag-Plating

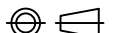
SCHEMATIC



NINGBO RHT ELECTRONIC CO.,LTD

UNITS:mm	SHEET SIZE: A4	SCALE:---	DRWN BY PAN
0~3	3~18	18~50	50~120
±0.12	±0.15	±0.3	±0.5

CHK'D BY FENG
 APPR BY ZHAN

DC POWER Jack SMT HORIZONTAL
 THIRD ANGLE PROJECTION

 RHTAYDC-012