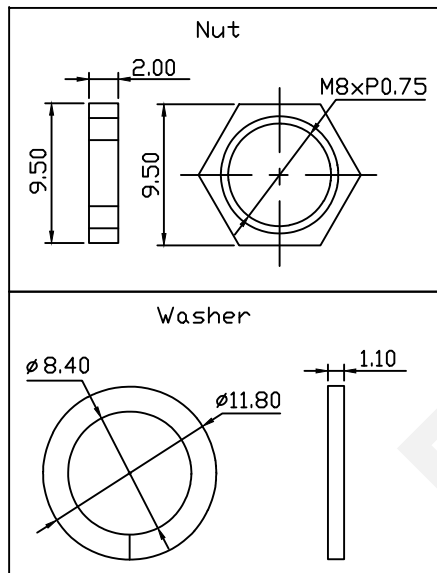
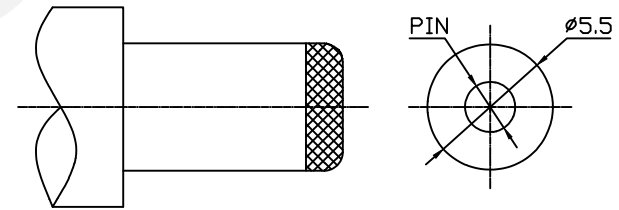
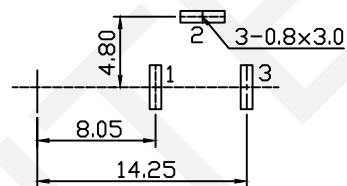


SPECIFICATION

Rated Load:DC 30V 0.5A
 Contact Resistance:30mΩ, Max
 Insulation Resistance:100MΩ, Min
 Withstand Voltage:AC500V
 Actuating Force:3-20N
 Life:5000 Cycles
 Operating Temperature:-30°C-70°C

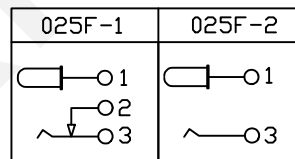


PCB LAYOUT TOP VIEW



DC MATE PLUG

SCHEMATIC



| | | | | |
|------|-------|------|-------|------|
| PIN | ∅1.65 | ∅2.0 | ∅2.35 | ∅2.5 |
| APPD | | | | |

RHTECP NINGBO RHT ELECTRONIC CO.,LTD

| | | | | | |
|----------|----------------|-------|--------|---------------|----------------------------|
| UNITS:mm | SHEET SIZE: A4 | | | SCALE:--- | DRWN BY PAN |
| 0~3 | 3~18 | 18~50 | 50~120 | CHK'D BY FENG | THIRD ANGLE PROJECTION |
| ±0.12 | ±0.15 | ±0.3 | ±0.5 | APPR BY ZHAN | |

DC POWER Jack DIP

RHTAYC-025F