

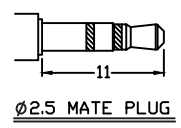
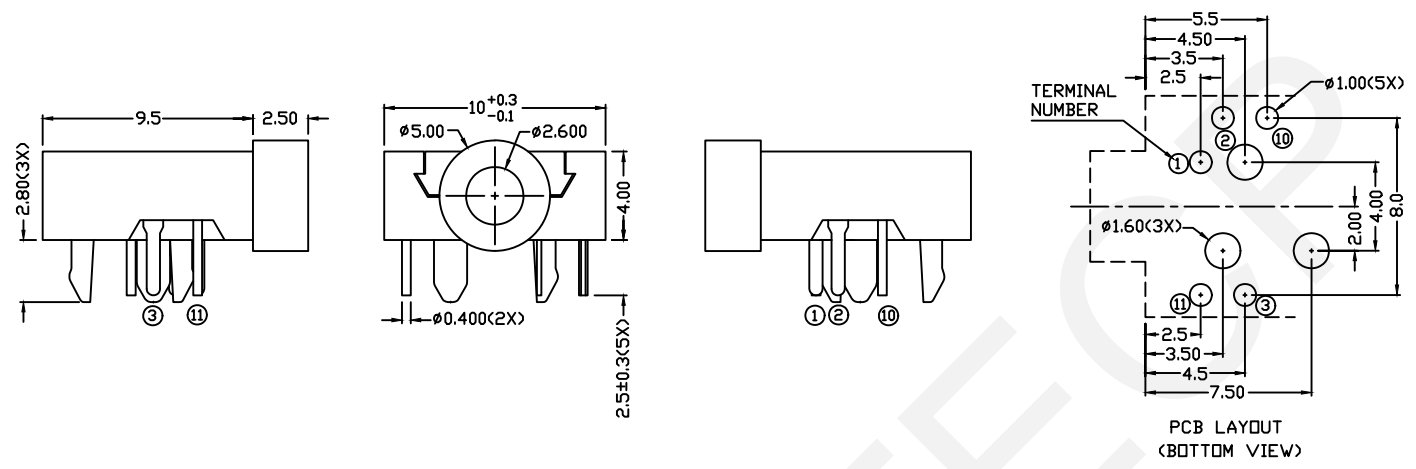
Technical Parameters:
 Rated Voltage:DC 30V
 Rated Current: 0.5 A
 Contact Resistance:0.03Ω,Max
 Insulation Resistance:100MΩ,Min
 Pressure:AC500V(50Hz)/1minute
 Insertion Force:2-20 N
 Life: 50000 Times
 Operating Temperature:-30℃~70℃
 Material:

Terminal1:Brass
 Terminal2:Copper Alloy
 Terminal3:Copper Alloy
 Terminal10:Copper Alloy
 Terminal 11:Copper Alloy
 Bousing:Brass
 Housing:Pa66
 Cover:Pa66

ORDER INFORMATION

RHTAYSJ2.5-006AA

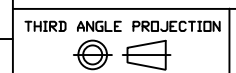
2.5mm Dip Stereo Jack
 Schematic:See Annex



MODEL NO	006A	006AA	006AB	006AC	006AD	006AE
SCHEMATIC						

RHTECP NINGBO RHT ELECTRONIC CO.,LTD

UNITS:mm	SHEET SIZE: A4				SCALE:---	DRWN BY PAN
0~3	3~18	18~50	50~120	CHK'D BY FENG	Dip Stereo Jack	
±0.12	±0.15	±0.3	±0.5	APPR BY ZHAN		



RHTAYSJ2.5-006A