

Technical Parameters:

Rated Voltage:DC 30V

Rated Current: 0.5 A

Contact Resistance:0.03Ω,Max

Insulation Resistance:100MΩ,Min

Pressure:AC500V(50Hz)/1minute

Insertion Force:2~20 N

Life: 50000 Times

Operating Temperature:-30°C~70°C

Material:

Terminal1:Copper Alloy

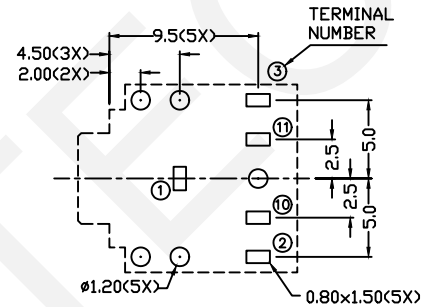
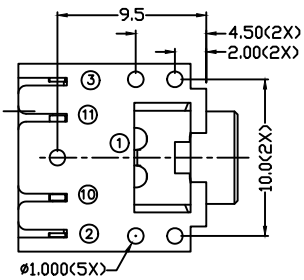
Terminal2:Copper Alloy

Terminal3:Copper Alloy

Terminal 10: Brass

Terminal 11: Brass

Housing: PBT



PCB LAYOUT  
(TOP VIEW)

ORDER INFORMATION

RHTAYSJ3.5-001C A

3.5mm Dip Stereo Jack

Schematic:See Annex

MODEL NO	001C	001CA	001CB	001CC	001CD
SCHEMATIC					

**RHTECP** NINGBO RHT ELECTRONIC CO.,LTD

UNITS:mm	SHEET SIZE: A4			SCALE:---	DRWN BY PAN
0~3	3~18	18~50	50~120	CHK'D BY FENG	
±0.12	±0.15	±0.3	±0.5	APPR BY ZHAN	

Dip Stereo Jack	
THIRD ANGLE PROJECTION	RHTAYSJ3.5-001C

