

Technical Parameters:

Rated Voltage:DC 30V

Rated Current: 0.5 A

Contact Resistance:0.03Ω,Max

Insulation Resistance:100MΩ,Min

Pressure:AC500V(50Hz)/1minute

Insertion Force:2-20 N

Life: 50000 Times

Operating Temperature:-30°C~70°C

Material:

Terminal1:Copper Alloy

Terminal2:Copper Alloy

Terminal3:Copper Alloy

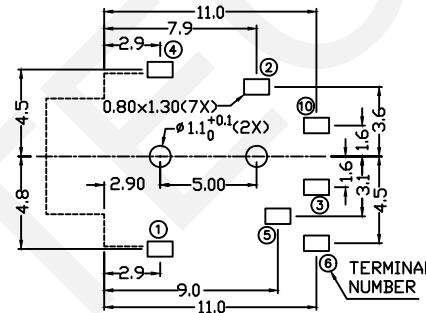
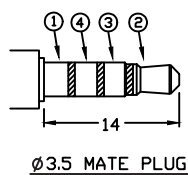
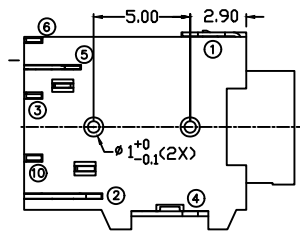
Terminal4:Copper Alloy

Terminal 5 : Copper Alloy

Terminal 6 : Copper Alloy

Terminal 10: Brass

Housing: Pa66



PCB LAYOUT  
(BOTTOM VIEW)

MODEL NO	008	008A	008B	008C
SCHEMATIC				

ORDER INFORMATION

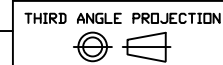
RHTAYSJ3.5-008A

3.5mm Dip Stereo Jack

Schematic:See Annex

**RHTECP** NINGBO RHT ELECTRONIC CO.,LTD

UNITS:mm	SHEET SIZE: A4				SCALE:---	DRWN BY PAN
0~3	3~18	18~50	50~120	CHK'D BY FENG	Dip Stereo Jack	
±0.12	±0.15	±0.3	±0.5	APPR BY ZHAN	THIRD ANGLE PROJECTION	



RHTAYSJ3.5-008