

P.C.B LAYOUT

Material:  
 Base:PBT UL94V-0  
 Contact:H62 Brass  
 Environmental:  
 Operating Temperature:-25°C~+70°C  
 Electrical:  
 Rated Load:2A 100V AC  
 Dielectric Withstanding:500V AC(50Hz)/1min  
 Insulation Resistance:≥100MΩ  
 Contact Resistance:≤30mΩ  
 Insertion and Extraction Force:10-50N  
 Life:≥5000

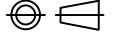
ORDER INFORMATION

Product NO.: RHTAY59A-5P

DS Terminal Series

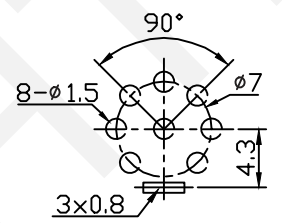
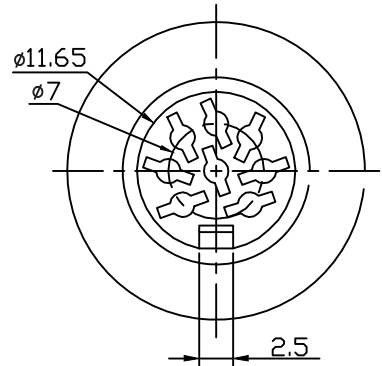
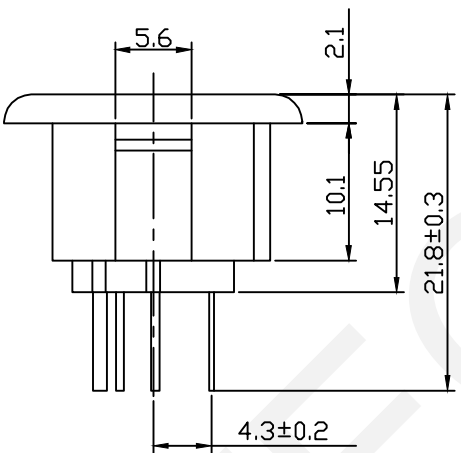
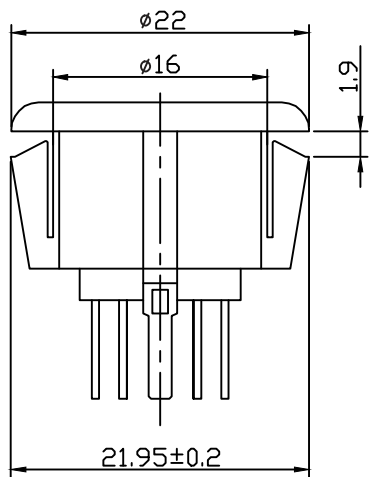
Pin Number:5-5P

**RHTECP** NINGBO RHT ELECTRONIC CO.,LTD

UNITS:mm	SHEET SIZE: A4			SCALE:---	DRWN BY PAN
0~3	3~18	18~50	50~120	CHK'D BY FENG	THIRD ANGLE PROJECTION 
±0.12	±0.15	±0.3	±0.5	APPR BY ZHAN	

DS Terminal Series

RHTAY59A-5P



P.C.B LAYOUT

Material:  
 Base:PBT UL94V-0  
 Contact:H62 Brass  
 Environmental:  
 Operating Temperature:-25°C~+70°C  
 Electrical:  
 Rated Load:2A 100V AC  
 Dielectric Withstanding:500V AC(50Hz)/1min  
 Insulation Resistance:≥100MΩ  
 Contact Resistance:≤30mΩ  
 Insertion and Extraction Force:10-50N  
 Life:≥5000

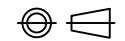
ORDER INFORMATION  
 Product NO.: RHTAY59A-8P

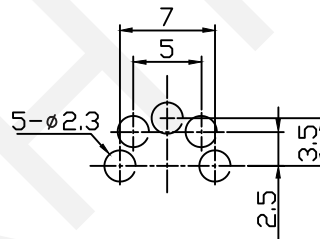
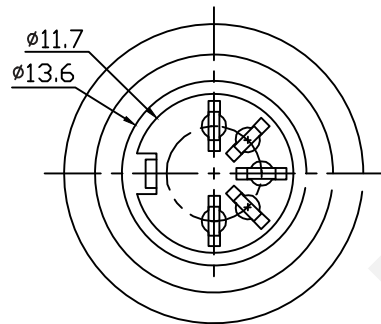
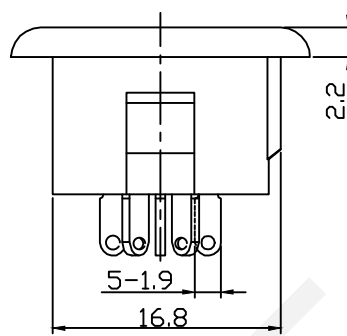
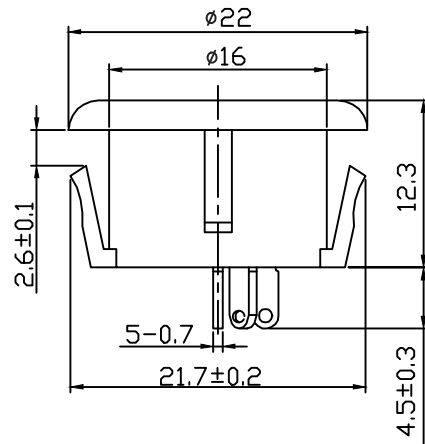
DS Terminal Series  
 Pin Number:8-8P

**RHTECP** NINGBO RHT ELECTRONIC CO.,LTD

UNITS:mm	SHEET SIZE: A4		SCALE:---	
0~3	3~18	18~50	50~120	
±0.12	±0.15	±0.3	±0.5	

DRWN BY PAN  
 CHK'D BY FENG  
 APPR BY ZHAN

DS Terminal Series  
 THIRD ANGLE PROJECTION  
  
 RHTAY59A-8P



P.C.B LAYOUT

Material:  
 Base:PBT UL94V-0  
 Contact:H62 Brass  
 Environmental:  
 Operating Temperature:-25°C~+70°C  
 Electrical:  
 Rated Load:2A 100V AC  
 Dielectric Withstanding:500V AC(50Hz)/1min  
 Insulation Resistance:≥100MΩ  
 Contact Resistance:≤30mΩ  
 Insertion and Extraction Force:10-50N  
 Life:≥5000

ORDER INFORMATION

Product NO.: RHTAY59 B

DS Terminal Series

Black

**RHTECP** NINGBO RHT ELECTRONIC CO.,LTD

UNITS:mm	SHEET SIZE: A4			SCALE:---
0~3	3~18	18~50	50~120	
±0.12	±0.15	±0.3	±0.5	

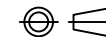
DRWN BY PAN

CHK'D BY FENG

APPR BY ZHAN

DS Terminal Series

THIRD ANGLE PROJECTION



RHTAY59B