

PCB LAYOUT

Material:
 Base:PBT UL94V-0
 Contact:H62 Brass
 Environmental:
 Operating Temperature:-25°C~+70°C
 Electrical:
 Rated Load:2A 100V AC
 Dielectric Withstanding:500V AC(50Hz)/1min
 Insulation Resistance: $\geq 100M\Omega$
 Contact Resistance: $\leq 30m\Omega$
 Insertion and Extraction Force:10-50N
 Life: ≥ 5000

ORDER INFORMATION

Product NO.:RHTAYS-5-07A

DS Terminal Series

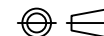
Pin Number:5-5P

Serial Number

RHTECP NINGBO RHT ELECTRONIC CO.,LTD

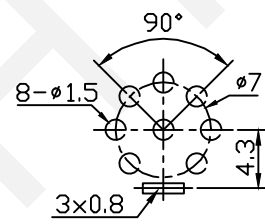
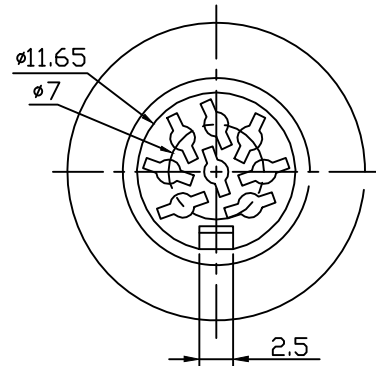
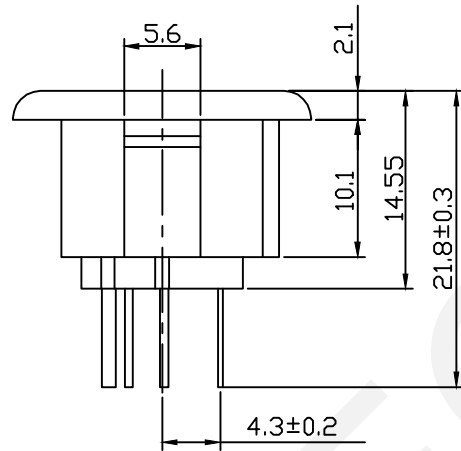
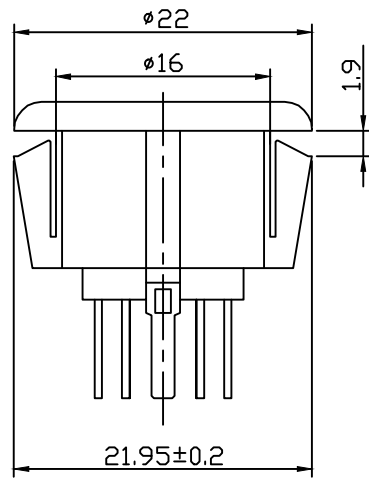
UNITS:mm	SHEET SIZE: A4		SCALE:---	DRWN BY PAN
0~3	3~18	18~50	50~120	CHK'D BY FENG
± 0.12	± 0.15	± 0.3	± 0.5	APPR BY ZHAN

THIRD ANGLE PROJECTION



DS Terminal Series

RHTAYS-5-07A



P.C.B LAYOUT

Material:
 Base:PBT UL94V-0
 Contact:H62 Brass
 Environmental:
 Operating Temperature:-25°C~+70°C
 Electrical:
 Rated Load:2A 100V AC
 Dielectric Withstanding:500V AC(50Hz)/1min
 Insulation Resistance:≥100MΩ
 Contact Resistance:≤30mΩ
 Insertion and Extraction Force:10-50N
 Life:≥5000

ORDER INFORMATION

Product NO.:RHTAYS-8-07A

DS Terminal Series
 Pin Number:8-8P
 Serial Number

RHTECP NINGBO RHT ELECTRONIC CO.,LTD

UNITS:mm	SHEET SIZE: A4		SCALE:---	DRWN BY PAN
0~3	3~18	18~50	50~120	CHK'D BY FENG
±0.12	±0.15	±0.3	±0.5	APPR BY ZHAN

DS Terminal Series	
THIRD ANGLE PROJECTION	RHTAYS-8-07A