

Technical Characteristics:

1. Use Conditions:

Ambient Temperature: ~70°C-25°C
Relative Humidity: 95% (40 Degrees°C)

2. Rated Load: AC2A 100V

3. Contact Resistance: 3 30m ohm

4. Insulation Resistance: 4 100M ohm

5. Pressure: AC 500V (50Hz) 1min

6. Insertion Force: 10-50N

7. Life: 5000 Times

ORDER INFORMATION

Product NO.: RHTAYSCT-3-07F-S

SCT Terminal Series

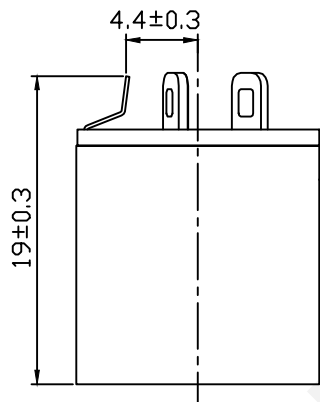
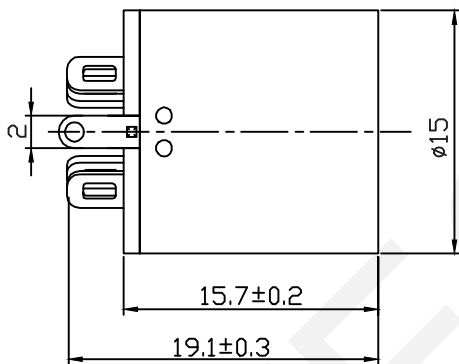
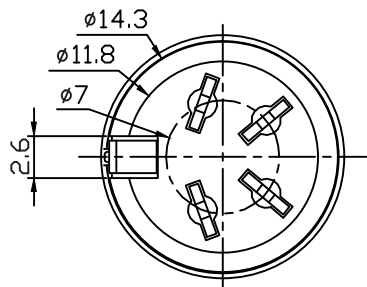
Pin Number: 3-3P

RHTECP NINGBO RHT ELECTRONIC CO.,LTD

UNITS:mm	SHEET SIZE: A4			SCALE:---	DRWN BY PAN
0~3	3~18	18~50	50~120	CHK'D BY FENG	THIRD ANGLE PROJECTION
±0.12	±0.15	±0.3	±0.5	APPR BY ZHAN	

SCT Terminal Series

RHTAYSCT-3-07F-S



Technical Characteristics:

1. Use Conditions:

Ambient Temperature: ~70°C-25°C
 Relative Humidity: 95% (40 Degrees°C)

2. Rated Load: AC2A 100V

3. Contact Resistance: 3 30m ohm

4. Insulation Resistance: 4 100M ohm

5. Pressure: AC 500V (50Hz) 1min

6. Insertion Force: 10-50N

7. Life: 5000 Times

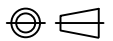
ORDER INFORMATION

Product NO.: RHTAYSCT-4-07F-S

SCT Terminal Series

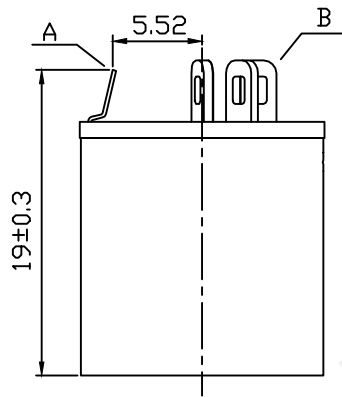
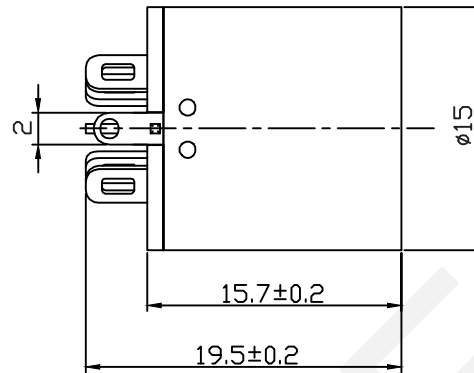
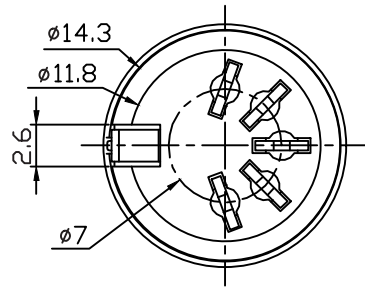
Pin Number: 4-4P

RHTECP NINGBO RHT ELECTRONIC CO.,LTD

UNITS:mm	SHEET SIZE: A4			SCALE:---	DRWN BY PAN
0~3	3~18	18~50	50~120	CHK'D BY FENG	THIRD ANGLE PROJECTION 
±0.12	±0.15	±0.3	±0.5	APPR BY ZHAN	

SCT Terminal Series

RHTAYSCT-4-07F-S



Technical Characteristics:

1. Use Conditions:

Ambient Temperature: $\sim 70^{\circ}\text{C} - 25^{\circ}\text{C}$
 Relative Humidity: 95% (40°C)

2. Rated Load: AC2A 100V

3. Contact Resistance: 3 30m ohm

4. Insulation Resistance: 4 100M ohm

5. Pressure: AC 500V (50Hz) 1min

6. Insertion Force: 10-50N

7. Life: 5000 Times

ORDER INFORMATION

Product NO.: RHTAYSCT-5-07F-S

SCT Terminal Series

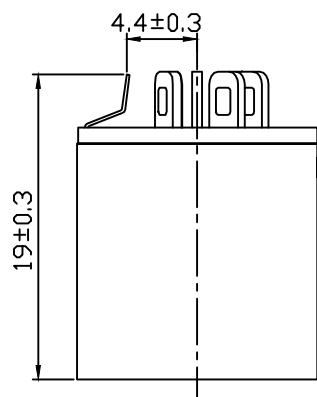
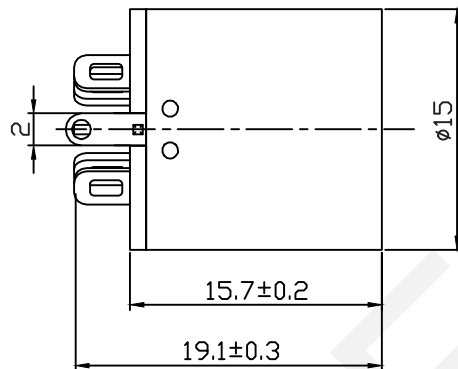
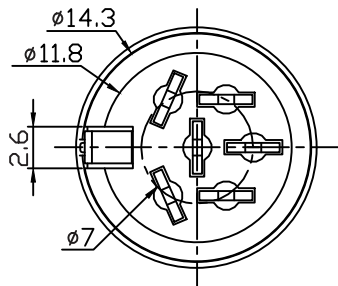
Pin Number: 5-5P

RHTECP NINGBO RHT ELECTRONIC CO.,LTD

UNITS:mm	SHEET SIZE: A4			SCALE:---	DRWN BY PAN
0~3	3~18	18~50	50~120	CHK'D BY FENG	THIRD ANGLE PROJECTION
±0.12	±0.15	±0.3	±0.5	APPR BY ZHAN	

SCT Terminal Series

RHTAYSCT-5-07F-S



Technical Characteristics:

1. Use Conditions:

Ambient Temperature: $\sim 70^{\circ}\text{C} - 25^{\circ}\text{C}$

Relative Humidity: 95% (40 Degrees $^{\circ}\text{C}$)

2. Rated Load: AC2A 100V

3. Contact Resistance: 3 30m ohm

4. Insulation Resistance: 4 100M ohm

5. Pressure: AC 500V (50Hz) 1min

6. Insertion Force: 10-50N

7. Life: 5000 Times

ORDER INFORMATION

Product NO.: RHTAYSCT-6-07F-S

SCT Terminal Series

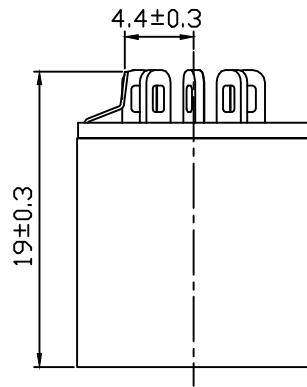
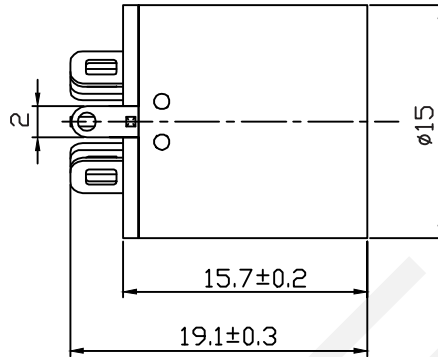
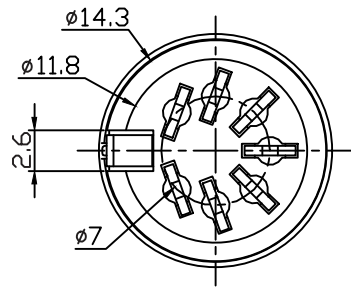
Pin Number: 6-6P

RHTECP NINGBO RHT ELECTRONIC CO.,LTD

UNITS:mm	SHEET SIZE: A4			SCALE:---	DRWN BY PAN
0~3	3~18	18~50	50~120	CHK'D BY FENG	THIRD ANGLE PROJECTION
± 0.12	± 0.15	± 0.3	± 0.5	APPR BY ZHAN	

SCT Terminal Series

RHTAYSCT-6-07F-S



Technical Characteristics:

1. Use Conditions:

Ambient Temperature: $\sim 70^{\circ}\text{C} - 25^{\circ}\text{C}$
 Relative Humidity: 95% (40°C)

2. Rated Load: AC2A 100V

3. Contact Resistance: 3 30m ohm

4. Insulation Resistance: 4 100M ohm

5. Pressure: AC 500V (50Hz) 1min

6. Insertion Force: 10-50N

7. Life: 5000 Times

ORDER INFORMATION

Product NO.: RHTAYSCT-7-07F-S

SCT Terminal Series

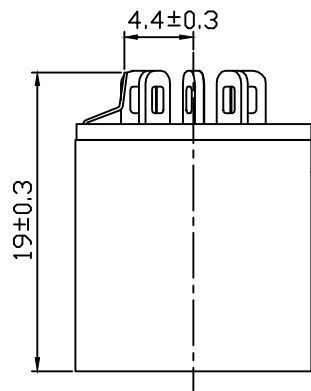
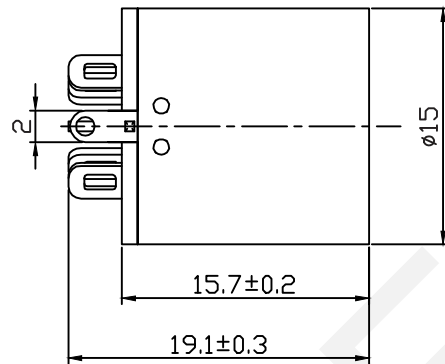
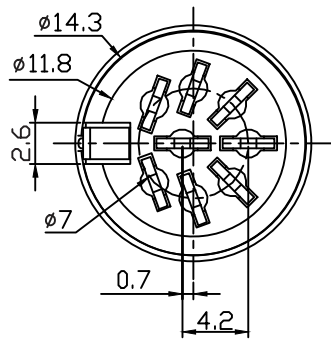
Pin Number: 7-7P

RHTECP NINGBO RHT ELECTRONIC CO.,LTD

UNITS:mm	SHEET SIZE: A4			SCALE:---	DRWN BY PAN
0~3	3~18	18~50	50~120	CHK'D BY FENG	THIRD ANGLE PROJECTION
±0.12	±0.15	±0.3	±0.5	APPR BY ZHAN	

SCT Terminal Series

RHTAYSCT-7-07F-S



Technical Characteristics:

1. Use Conditions:

Ambient Temperature: ~70°C-25°C
 Relative Humidity: 95% (40 Degrees°C)

2. Rated Load: AC2A 100V

3. Contact Resistance: 3 30m ohm

4. Insulation Resistance: 4 100M ohm

5. Pressure: AC 500V (50Hz) 1min

6. Insertion Force: 10-50N

7. Life: 5000 Times

ORDER INFORMATION

Product NO.: RHTAYSCT-8-07F-S

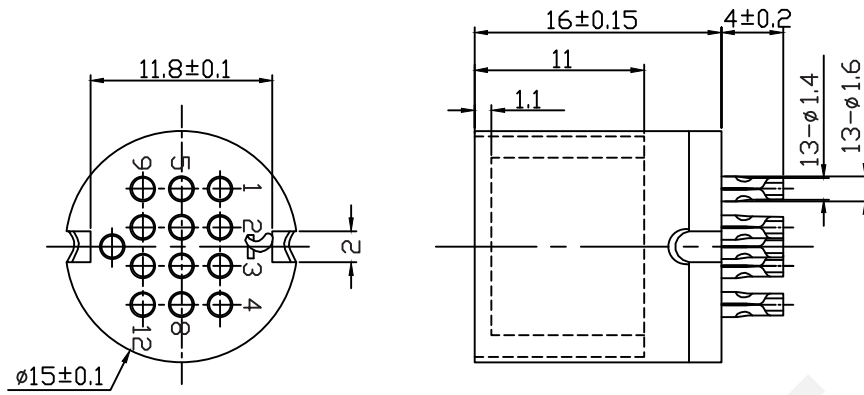
SCT Terminal Series

Pin Number: 8-8P

RHTECP NINGBO RHT ELECTRONIC CO.,LTD

UNITS:mm	SHEET SIZE: A4			SCALE:---	DRWN BY PAN
0~3	3~18	18~50	50~120	CHK'D BY FENG	
±0.12	±0.15	±0.3	±0.5	APPR BY ZHAN	

SCT Terminal Series	
THIRD ANGLE PROJECTION	RHTAYSCT-8-07F-S



Technical Characteristics:

1. Use Conditions:

Ambient Temperature: $\sim 70^{\circ}\text{C} - 25^{\circ}\text{C}$
 Relative Humidity: 95% (40 Degrees $^{\circ}\text{C}$)

2. Rated Load: AC2A 100V

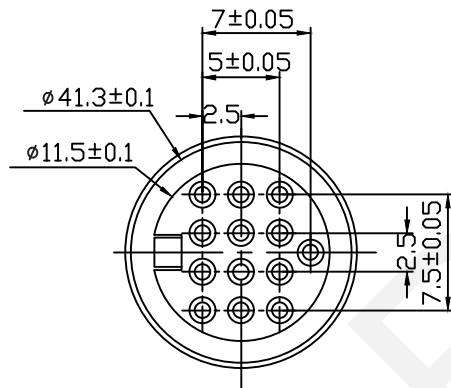
3. Contact Resistance: 3 30m ohm

4. Insulation Resistance: 4 100M ohm

5. Pressure: AC 500V (50Hz) 1min

6. Insertion Force: 10-50N

7. Life: 5000 Times



ORDER INFORMATION

Product NO.: RHTAYSCT-13-07F-S

SCT Terminal Series

Pin Number: 13-13P

RHTECP NINGBO RHT ELECTRONIC CO.,LTD

UNITS:mm	SHEET SIZE: A4	SCALE:---	DRWN BY PAN
0~3	3~18	18~50	50~120
±0.12	±0.15	±0.3	±0.5

CHK'D BY FENG
 APPR BY ZHAN

SCT Terminal Series	
THIRD ANGLE PROJECTION	RHTAYSCT-13-07F-S