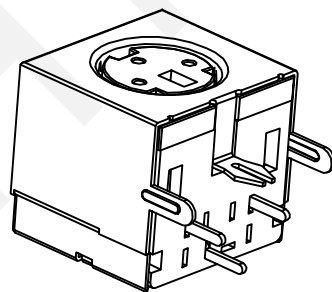


P.C.B Layout



Technical Parameters:  
 Rated Load: 2A 12V DC  
 Contact Resistance:  $\leq 0.03\Omega$   
 Insulation Resistance:  $\geq 100M\Omega$   
 Withstand Voltage: AC250V(50Hz)/min  
 Insertion And Extraction Force: 5-35N  
 Life: 5000 Times  
 Operating Temperature:  $-20^{\circ}C \sim 70^{\circ}C$   
 Material:  
 Insulator: PBT  
 Contact: Brass, D.Cu/Sn  
 Shielding case: Brass, D.Cu/Sn

ORDER INFORMATION

Product NO.: RHTAY551-03-B

Mini Din Jack

Pin Number:

03=3P 04=4P 05=5P

06=6P 07=7P 08=8P

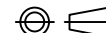
Color : B=Black

**RHTECP** NINGBO RHT ELECTRONIC CO.,LTD

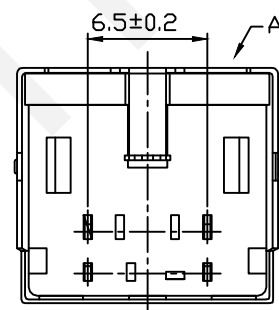
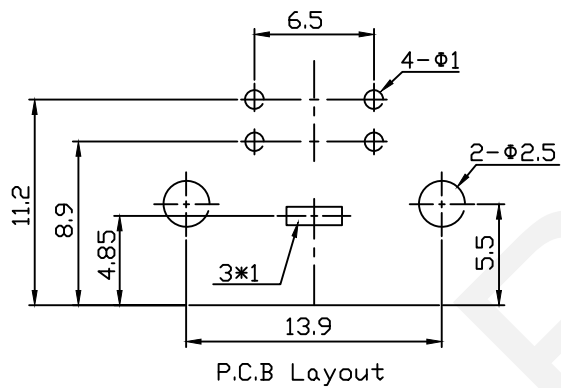
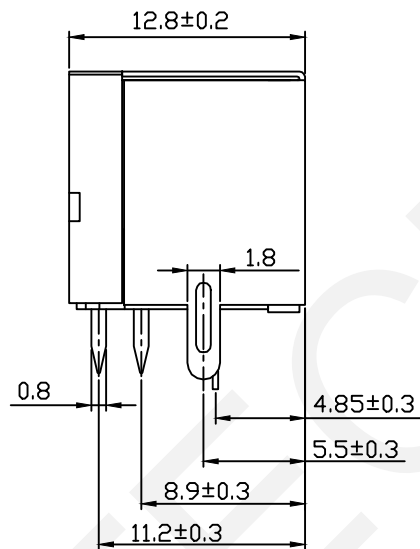
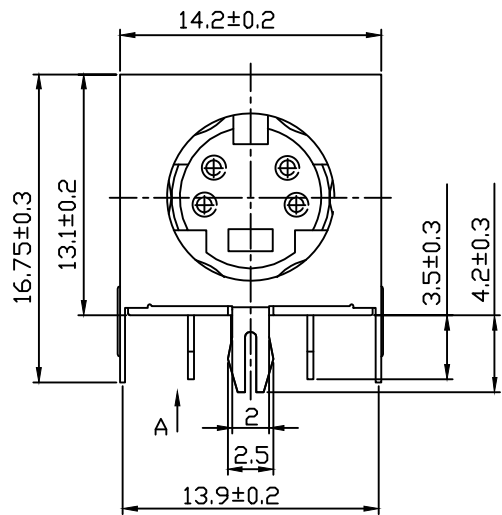
UNITS:mm	SHEET SIZE: A4	SCALE:---	DRWN BY PAN
0~3	3~18	18~50	50~120
±0.12	±0.15	±0.3	±0.5
			CHK'D BY FENG
			APPR BY ZHAN

Mini Din Jack With Shell Series

THIRD ANGLE PROJECTION



RHTAY551-03-B



Technical Parameters:  
 Rated Load: 2A 12V DC  
 Contact Resistance:  $\leq 0.03\Omega$   
 Insulation Resistance:  $\geq 100M\Omega$   
 Withstand Voltage: AC250V(50Hz)/min  
 Insertion And Extraction Force: 5-35N  
 Life: 5000 Times  
 Operating Temperature:  $-20^{\circ}\text{C} \sim 70^{\circ}\text{C}$   
 Material:  
 Insulator: PBT  
 Contact: Brass, D.Cu/Sn  
 Shielding case: Brass, D.Cu/Sn

ORDER INFORMATION

Product NO.: RHTAY551-04-B

Mini Din Jack

Pin Number:

03=3P 04=4P 05=5P

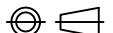
06=6P 07=7P 08=8P

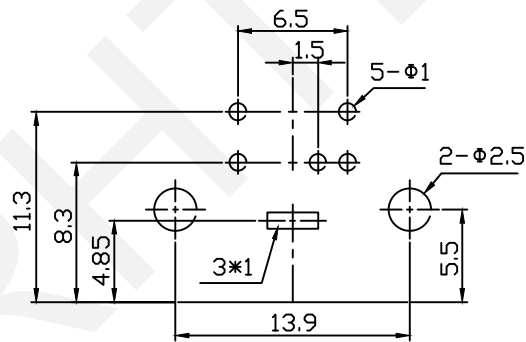
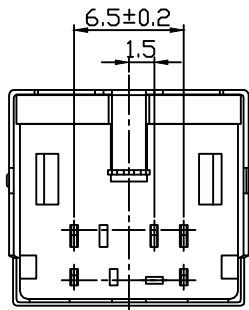
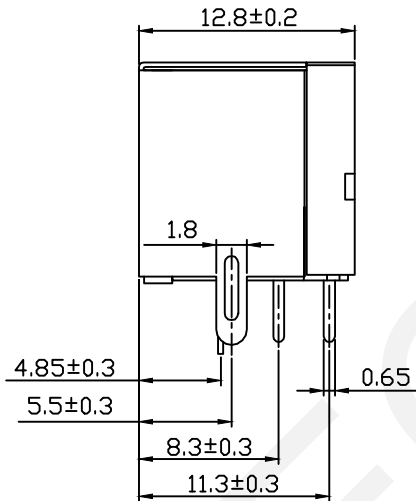
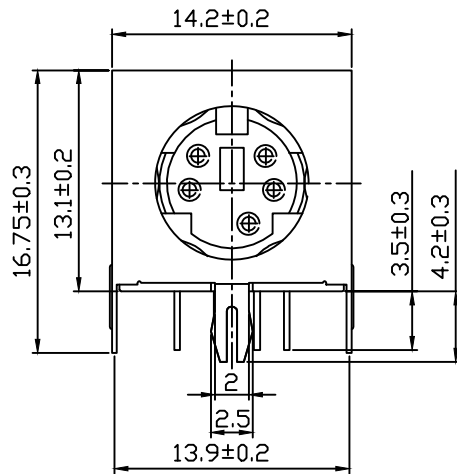
Color : B=Black

**RHTECP** NINGBO RHT ELECTRONIC CO.,LTD

UNITS:mm	SHEET SIZE: A4	SCALE:---	DRWN BY PAN
0~3	3~18	18~50	50~120
±0.12	±0.15	±0.3	±0.5

CHK'D BY FENG  
 APPR BY ZHAN

Mini Din Jack With Shell Series  
 THIRD ANGLE PROJECTION  
  
 RHTAY551-04-B



P.C.B Layout

Technical Parameters:  
 Rated Load: 2A 12V DC  
 Contact Resistance:  $\leq 0.03\Omega$   
 Insulation Resistance:  $\geq 100M\Omega$   
 Withstand Voltage: AC250V(50Hz)/min  
 Insertion And Extraction Force: 5-35N  
 Life: 5000 Times  
 Operating Temperature:  $-20^{\circ}\text{C} \sim 70^{\circ}\text{C}$   
 Material:  
 Insulator: PBT  
 Contact: Brass, D.Cu/Sn  
 Shielding case: Brass, D.Cu/Sn

ORDER INFORMATION

Product NO.: RHTAY551-05-B

Mini Din Jack

Pin Number:

03=3P 04=4P 05=5P

06=6P 07=7P 08=8P

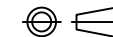
Color : B=Black

**RHTECP** NINGBO RHT ELECTRONIC CO.,LTD

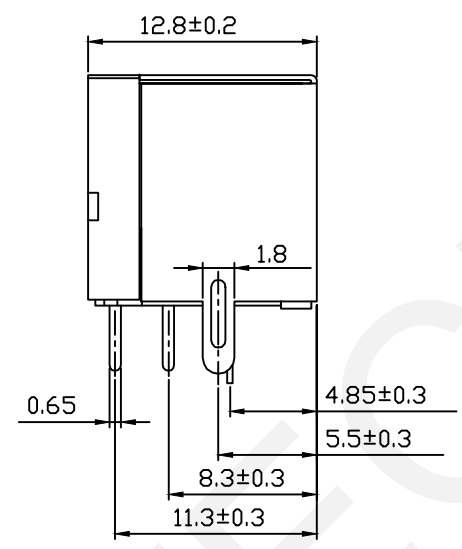
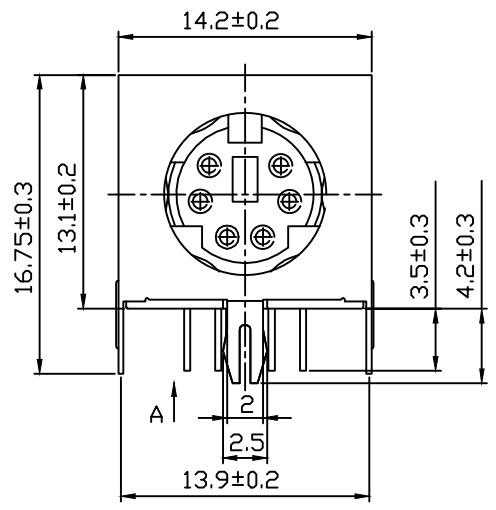
UNITS:mm	SHEET SIZE: A4	SCALE:---	DRWN BY PAN
0~3	3~18	18~50	50~120
±0.12	±0.15	±0.3	±0.5
			CHK'D BY FENG
			APPR BY ZHAN

Mini Din Jack With Shell Series

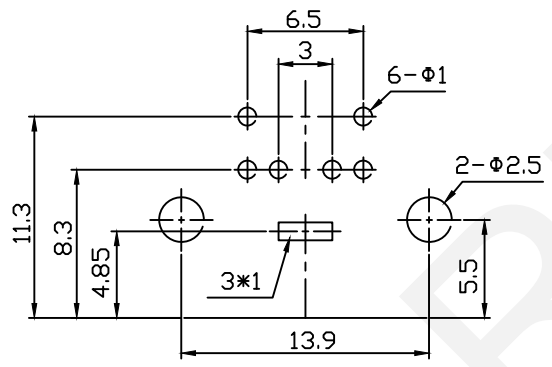
THIRD ANGLE PROJECTION



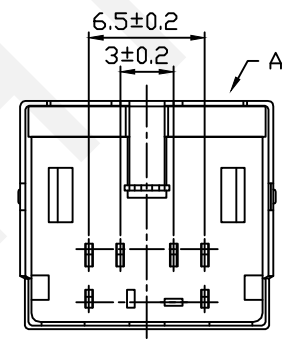
RHTAY551-05-B



Technical Parameters:  
 Rated Load: 2A 12V DC  
 Contact Resistance:  $\leq 0.03\Omega$   
 Insulation Resistance:  $\geq 100M\Omega$   
 Withstand Voltage: AC250V(50Hz)/min  
 Insertion And Extraction Force: 5-35N  
 Life: 5000 Times  
 Operating Temperature:  $-20^{\circ}C \sim 70^{\circ}C$   
 Material:  
 Insulator: PBT  
 Contact: Brass, D.Cu/Sn  
 Shielding case: Brass, D.Cu/Sn



P.C.B Layout



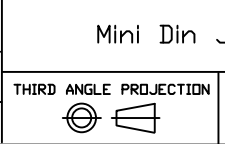
ORDER INFORMATION  
 Product NO.: RHTAY551-06-B  
 Mini Din Jack  
 Pin Number:  
 03=3P 04=4P 05=5P  
 06=6P 07=7P 08=8P  
 Color : B=Black



NINGBO RHT ELECTRONIC CO.,LTD

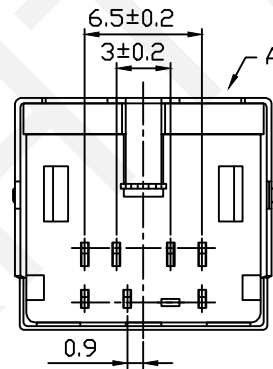
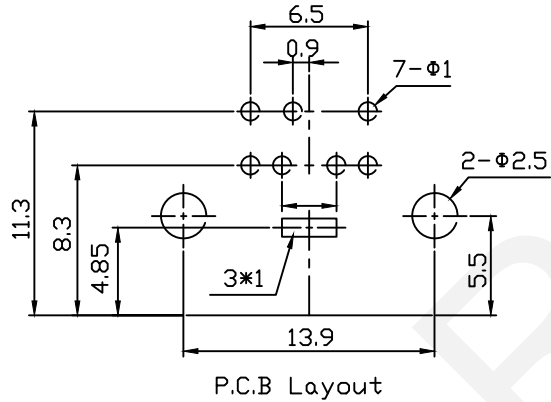
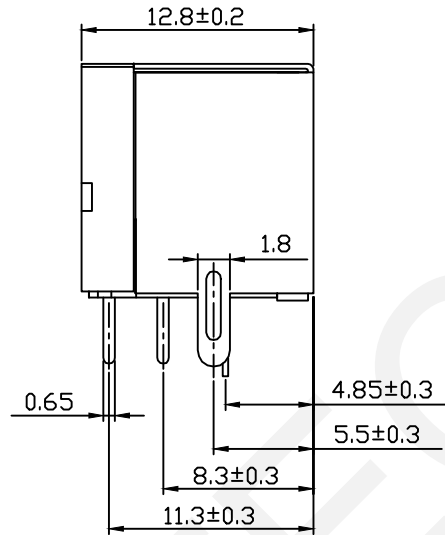
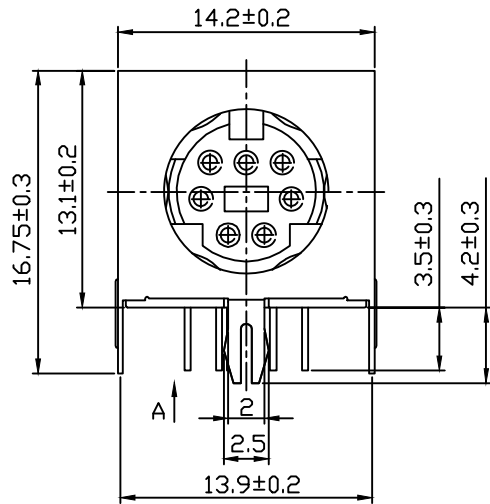
UNITS:mm	SHEET SIZE: A4	SCALE:---	DRWN BY PAN
0~3	3~18	18~50	50~120
±0.12	±0.15	±0.3	±0.5

CHK'D BY FENG  
 APPR BY ZHAN



Mini Din Jack With Shell Series

RHTAY551-06-B



Technical Parameters:  
 Rated Load: 2A 12V DC  
 Contact Resistance:  $\leq 0.03\Omega$   
 Insulation Resistance:  $\geq 100M\Omega$   
 Withstand Voltage: AC250V(50Hz)/min  
 Insertion And Extraction Force: 5-35N  
 Life: 5000 Times  
 Operating Temperature:  $-20^{\circ}\text{C} \sim 70^{\circ}\text{C}$   
 Material:  
 Insulator: PBT  
 Contact: Brass, D.Cu/Sn  
 Shielding case: Brass, D.Cu/Sn

ORDER INFORMATION

Product NO.: RHTAY551-07-B

Mini Din Jack

Pin Number:

03=3P 04=4P 05=5P

06=6P 07=7P 08=8P

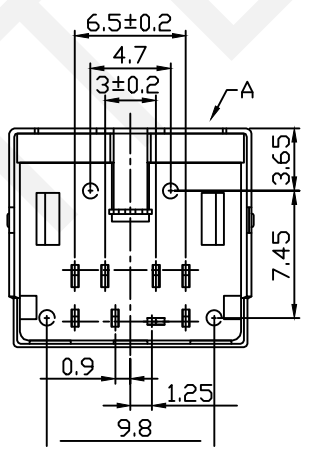
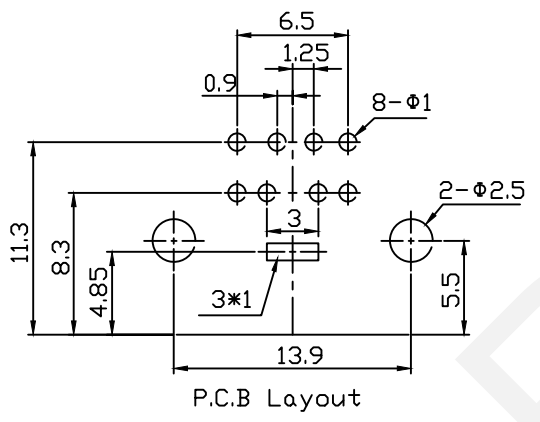
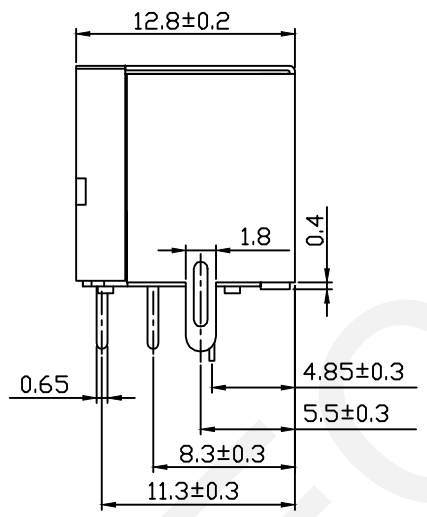
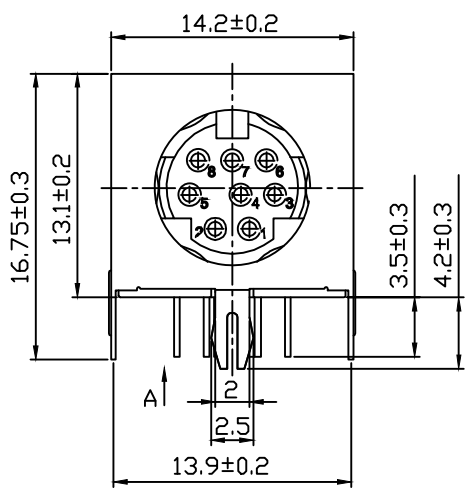
Color : B=Black

**RHTECP** NINGBO RHT ELECTRONIC CO.,LTD

UNITS:mm	SHEET SIZE: A4	SCALE:---	DRWN BY PAN
0~3	3~18	18~50	50~120
±0.12	±0.15	±0.3	±0.5

CHK'D BY FENG
APPR BY ZHAN

Mini Din Jack With Shell Series	
THIRD ANGLE PROJECTION	RHTAY551-07-B



Technical Parameters:  
 Rated Load: 2A 12V DC  
 Contact Resistance:  $\leq 0.03\Omega$   
 Insulation Resistance:  $\geq 100M\Omega$   
 Withstand Voltage: AC250V(50Hz)/min  
 Insertion And Extraction Force: 5-35N  
 Life: 5000 Times  
 Operating Temperature:  $-20^{\circ}C \sim 70^{\circ}C$   
 Material:  
 Insulator: PBT  
 Contact: Brass, D.Cu/Sn  
 Shielding case: Brass, D.Cu/Sn

ORDER INFORMATION  
 Product NO.: RHTAY551-08-B  
 Mini Din Jack  
 Pin Number:  
 03=3P 04=4P 05=5P  
 06=6P 07=7P 08=8P  
 Color : B=Black

**RHTECP** NINGBO RHT ELECTRONIC CO.,LTD

UNITS:mm	SHEET SIZE: A4	SCALE:---	DRWN BY PAN
0~3	3~18	18~50	50~120
±0.12	±0.15	±0.3	±0.5

CHK'D BY FENG  
 APPR BY ZHAN

Mini Din Jack With Shell Series  
 THIRD ANGLE PROJECTION  
 RHTAY551-08-B