

P.C.B LAYOUT

Material:

Base:PBT UL94V-0

Contact:H62 Brass

Environmental:

Operating Temperature:-25°C~+70°C

Electrical:

Rated Load:2A 100V AC

Dielectric Withstanding:500V AC(50Hz)/1min

Insulation Resistance:≥100MΩ

Contact Resistance:≤30mΩ

Insertion and Extraction Force:10-50N

Life:≥5000

ORDER INFORMATION

Product NO.:RHTAY91A-10.0-5P

DS Terminal Series

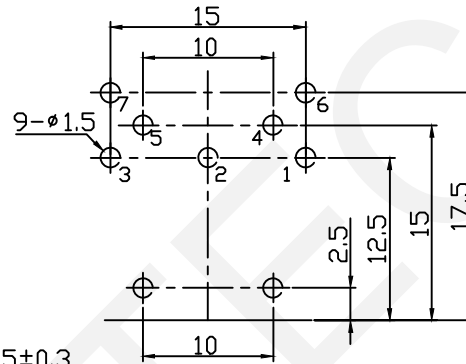
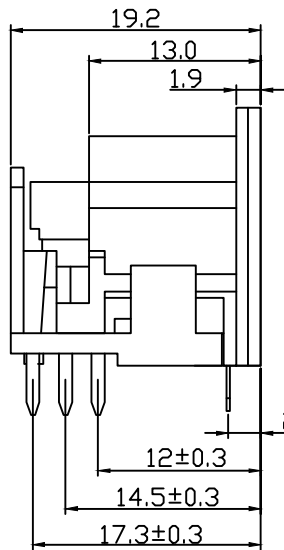
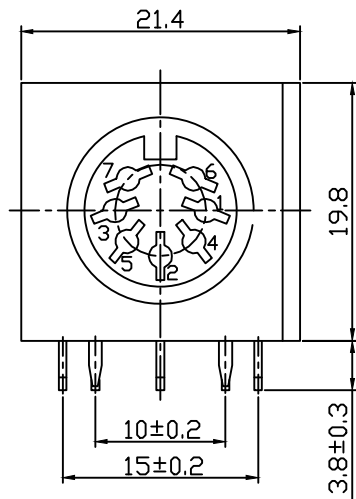
Pitch:10.0mm

Pin Number:5-5P

**RHTECP** NINGBO RHT ELECTRONIC CO.,LTD

UNITS:mm	SHEET SIZE: A4		SCALE:---	DRWN BY PAN
0~3	3~18	18~50	50~120	CHK'D BY FENG
±0.12	±0.15	±0.3	±0.5	APPR BY ZHAN

DS Terminal Series	
THIRD ANGLE PROJECTION	RHTAY91A-10.0-5P



P.C.B LAYOUT

Material:

Base:PBT UL94V-0

Contact:H62 Brass

Environmental:

Operating Temperature:-25°C~+70°C

Electrical:

Rated Load:2A 100V AC

Dielectric Withstanding:500V AC(50Hz)/1min

Insulation Resistance:≥100MΩ

Contact Resistance:≤30mΩ

Insertion and Extraction Force:10-50N

Life:≥5000

ORDER INFORMATION

Product NO.:RHTAY91A-10.0-7P

DS Terminal Series

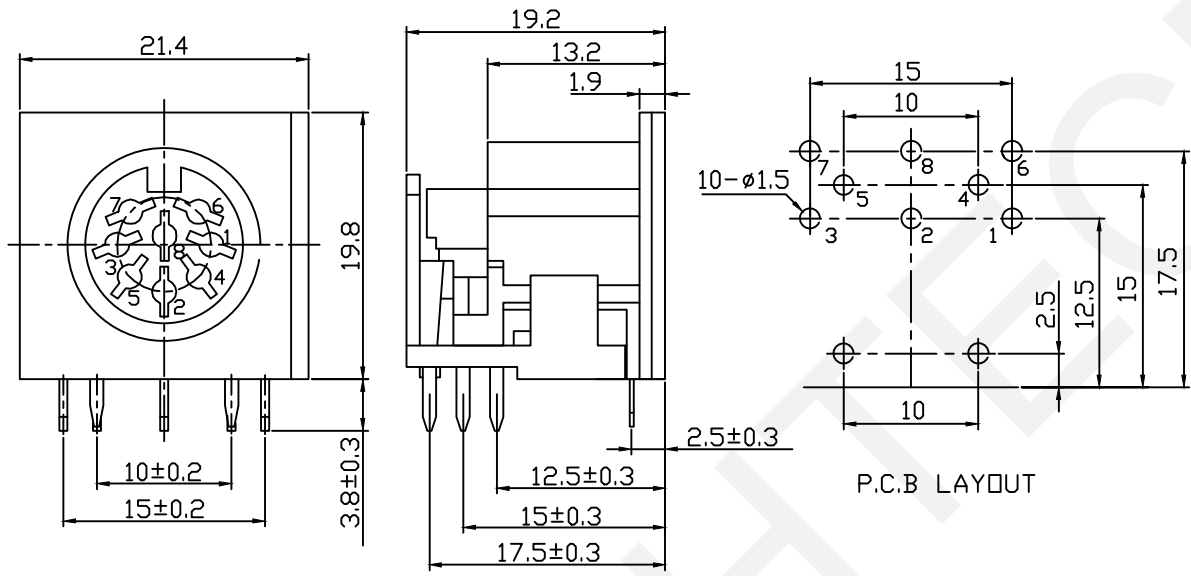
Pitch:10.0mm

Pin Number:7-7P

**RHTECP** NINGBO RHT ELECTRONIC CO.,LTD

UNITS:mm	SHEET SIZE: A4		SCALE:---	DRWN BY PAN
0~3	3~18	18~50	50~120	CHK'D BY FENG
±0.12	±0.15	±0.3	±0.5	APPR BY ZHAN

DS Terminal Series	
THIRD ANGLE PROJECTION	RHTAY91A-10.0-7P



Material:  
 Base:PBT UL94V-0  
 Contact:H62 Brass  
 Environmental:  
 Operating Temperature:-25°C~+70°C  
 Electrical:  
 Rated Load:2A 100V AC  
 Dielectric Withstanding:500V AC(50Hz)/1min  
 Insulation Resistance:≥100MΩ  
 Contact Resistance:≤30mΩ  
 Insertion and Extraction Force:10-50N  
 Life:≥5000

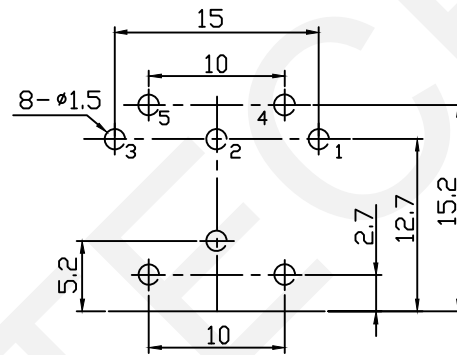
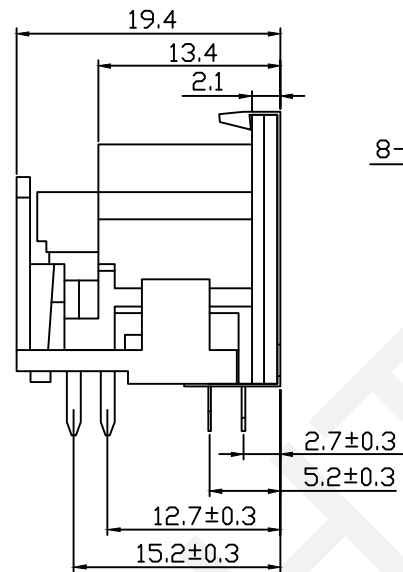
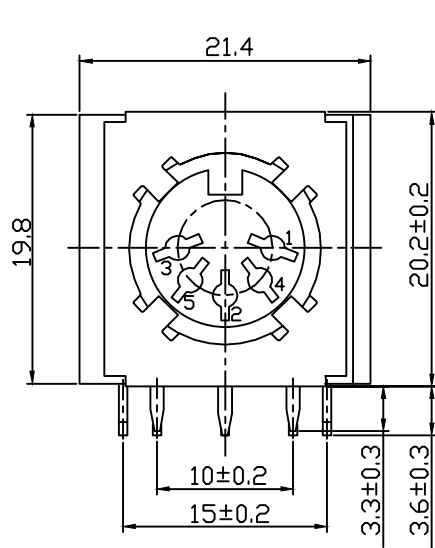
ORDER INFORMATION  
 Product NO.:RHTAY91A-10.0-8P  
 DS Terminal Series  
 Pitch:10.0mm  
 Pin Number:8-8P

**RHTECP** NINGBO RHT ELECTRONIC CO.,LTD

UNITS:mm	SHEET SIZE: A4	SCALE:---	DRWN BY PAN
0~3	3~18	18~50	50~120
±0.12	±0.15	±0.3	±0.5

CHK'D BY FENG  
 APPR BY ZHAN

DS Terminal Series	
THIRD ANGLE PROJECTION	RHTAY91A-10.0-8P



PCB LAYOUT

Material:

Base:PBT UL94V-0

Contact:H62 Brass

Environmental:

Operating Temperature:-25°C~+70°C

Electrical:

Rated Load:2A 100V AC

Dielectric Withstanding:500V AC(50Hz)/1min

Insulation Resistance:≥100MΩ

Contact Resistance:≤30mΩ

Insertion and Extraction Force:10-50N

Life:≥5000

ORDER INFORMATION

Product NO.:RHTAY91L-10.0-5P

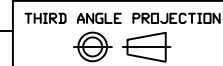
DS Terminal Series

Pitch:10.0mm

Pin Number:5-5P

**RHTECP** NINGBO RHT ELECTRONIC CO.,LTD

UNITS:mm	SHEET SIZE: A4				SCALE:---	DRWN BY PAN
0~3	3~18	18~50	50~120	CHK'D BY FENG	DS Terminal Series	
±0.12	±0.15	±0.3	±0.5	APPR BY ZHAN	RHTAY91L-10.0-5P	



RHTAY91L-10.0-5P