

Material:

Base:PBT UL94V-0

Contact:H62 Brass

Environmental:

Operating Temperature:-22°C~+70°C

Electrical:

Rated Load:DC 30V 2A

Dielectric Withstanding:AC250V(50Hz)/min

Insulation Resistance: $\geq 100M\Omega$

CONTACT RESISTANCE: $\leq 0.03\Omega$

Insertion And Extraction Force:5-35N

Life: $\geq 5000$

ORDER INFORMATION

Product NO: RHTAY93A-10.0-3P

DS Terminal Series

Pitch:10.0mm

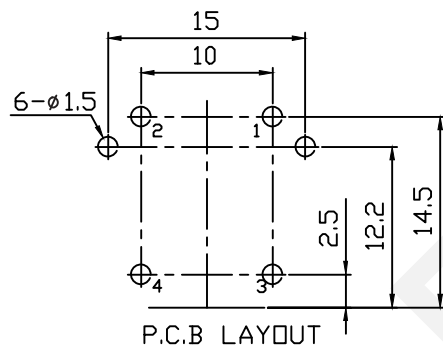
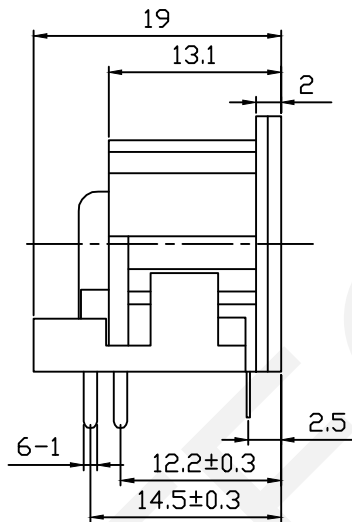
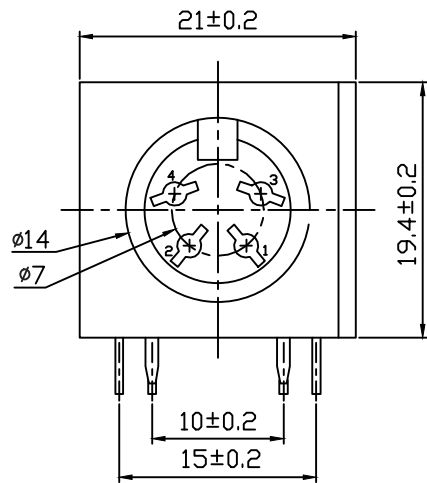
Pin Number:3-3P

**RHTECP** NINGBO RHT ELECTRONIC CO.,LTD

UNITS:mm	SHEET SIZE: A4	SCALE:---	DRWN BY PAN
0~3	3~18	18~50	50~120
$\pm 0.12$	$\pm 0.15$	$\pm 0.3$	$\pm 0.5$

CHK'D BY FENG
APPR BY ZHAN

DS Terminal Series	
THIRD ANGLE PROJECTION	RHTAY93A-10.0-3P



Material:

Base:PBT UL94V-0

Contact:H62 Brass

Environmental:

Operating Temperature:-25°C~+70°C

Electrical:

Rated Load:2A 100V AC

Dielectric Withstanding:500V AC(50Hz)/min

Insulation Resistance:≥100MΩ

CONTACT RESISTANCE:≤30mΩ

Insertion And Extraction Force:10-50N

Life:≥5000

ORDER INFORMATION

Product NO: RHTAY93A-10.0-4P

DS Terminal Series

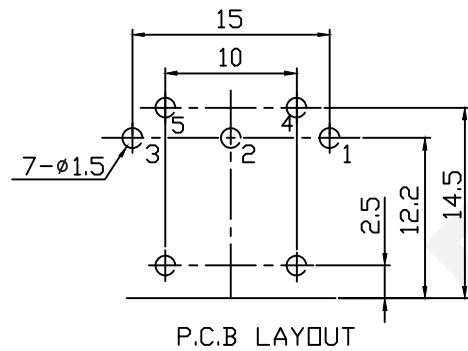
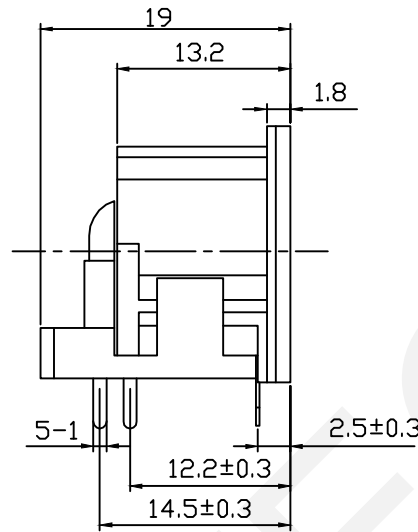
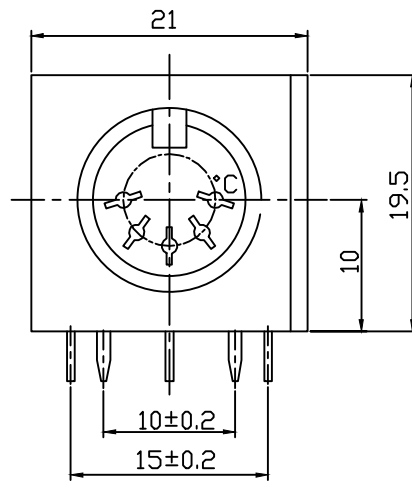
Pitch:10.0mm

Pin Number:4-4P

**RHTECP** NINGBO RHT ELECTRONIC CO.,LTD

UNITS:mm	SHEET SIZE: A4			SCALE:---	DRWN BY PAN
0~3	3~18	18~50	50~120	CHK'D BY FENG	
±0.12	±0.15	±0.3	±0.5	APPR BY ZHAN	

DS Terminal Series	
THIRD ANGLE PROJECTION	RHTAY93A-10.0-4P



Material:

Base:PBT UL94V-0

Contact:H62 Brass

Environmental:

Operating Temperature:-25°C~+70°C

Electrical:

Rated Load:2A 100V AC

Dielectric Withstanding:500V AC(50Hz)/min

Insulation Resistance:≥100MΩ

CONTACT RESISTANCE:≤30mΩ

Insertion And Extraction Force:10-50N

Life:≥5000

ORDER INFORMATION

Product NO: RHTAY93A-10.0-5P

DS Terminal Series

Pitch:10.0mm

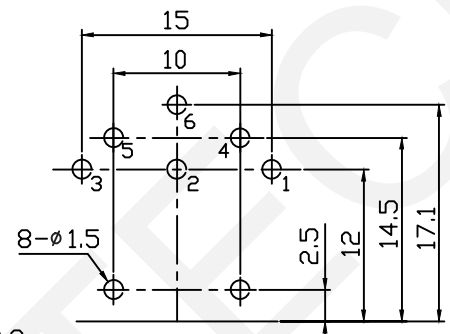
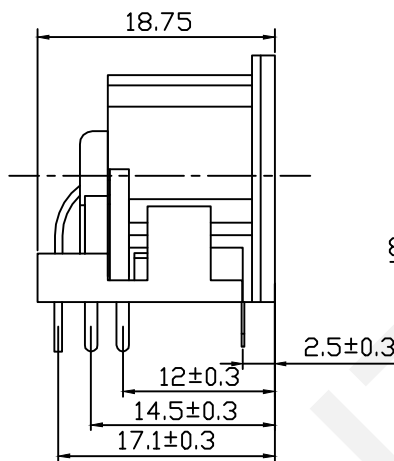
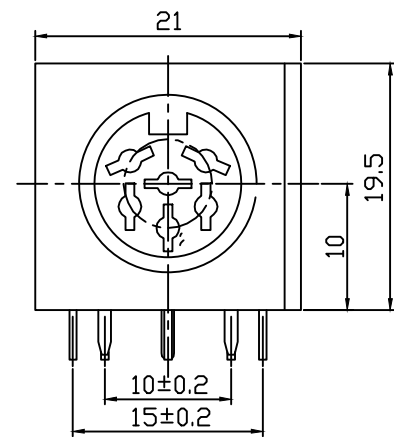
Pin Number:5-5P

**RHTECP** NINGBO RHT ELECTRONIC CO.,LTD

UNITS:mm	SHEET SIZE: A4			SCALE:---	DRWN BY PAN
0~3	3~18	18~50	50~120	CHK'D BY FENG	THIRD ANGLE PROJECTION 
±0.12	±0.15	±0.3	±0.5	APPR BY ZHAN	

DS Terminal Series

RHTAY93A-10.0-5P



P.C.B LAYOUT

Material:

Base:PBT UL94V-0

Contact:H62 Brass

Environmental:

Operating Temperature:-25°C~+70°C

Electrical:

Rated Load:2A 100V AC

Dielectric Withstanding:500V AC(50Hz)/min

Insulation Resistance:≥100MΩ

CONTACT RESISTANCE:≤30mΩ

Insertion And Extraction Force:10-50N

Life:≥5000

ORDER INFORMATION

Product NO.: RHTAY93A-10.0-6P

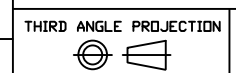
DS Terminal Series

Pitch:10.0mm

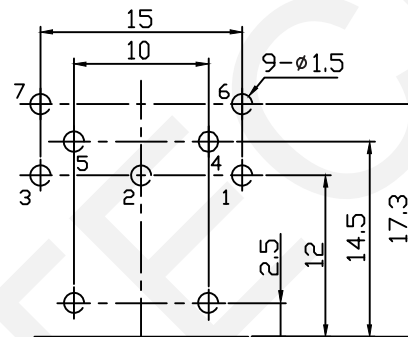
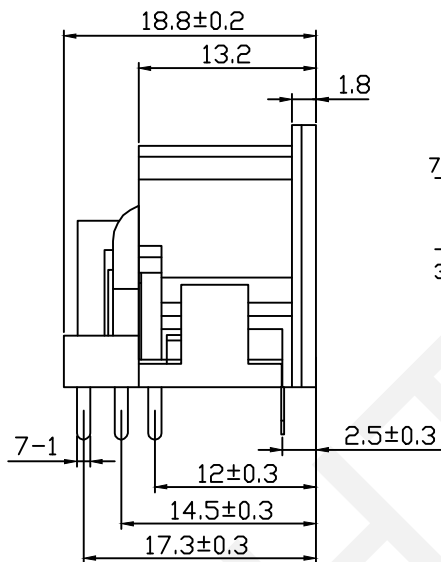
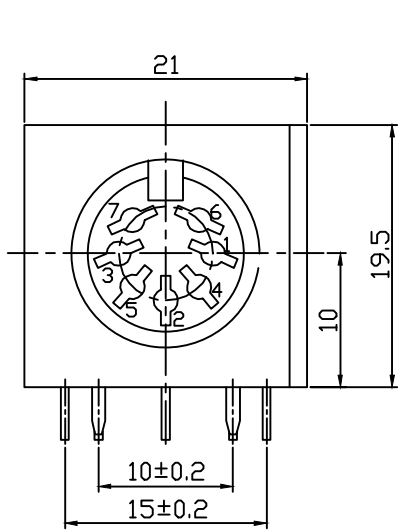
Pin Number:6-6P

**RHTECP** NINGBO RHT ELECTRONIC CO.,LTD

UNITS:mm	SHEET SIZE: A4				SCALE:---	DRWN BY PAN
0~3	3~18	18~50	50~120	CHK'D BY FENG	DS Terminal Series	
±0.12	±0.15	±0.3	±0.5	APPR BY ZHAN	RHTAY93A-10.0-6P	



RHTAY93A-10.0-6P



P.C.B LAYOUT

Material:

Base:PBT UL94V-0

Contact:H62 Brass

Environmental:

Operating Temperature:-25°C~+70°C

Electrical:

Rated Load:2A 100V AC

Dielectric Withstanding:500V AC(50Hz)/min

Insulation Resistance:≥100MΩ

CONTACT RESISTANCE:≤30mΩ

Insertion And Extraction Force:10-50N

Life:≥5000

ORDER INFORMATION

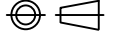
Product NO.: RHTAY93A-10.0-7P

DS Terminal Series

Pitch:10.0mm

Pin Number:7-7P

**RHTECP** NINGBO RHT ELECTRONIC CO.,LTD

UNITS:mm	SHEET SIZE: A4			SCALE:---	DRWN BY PAN
0~3	3~18	18~50	50~120	CHK'D BY FENG	THIRD ANGLE PROJECTION 
±0.12	±0.15	±0.3	±0.5	APPR BY ZHAN	

DS Terminal Series

RHTAY93A-10.0-7P

1 2 3 4 5 6 7 8 9

A

B

C

D

E

F

A

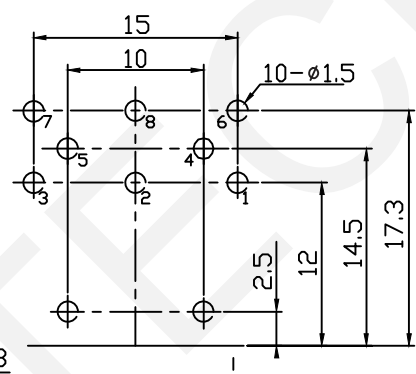
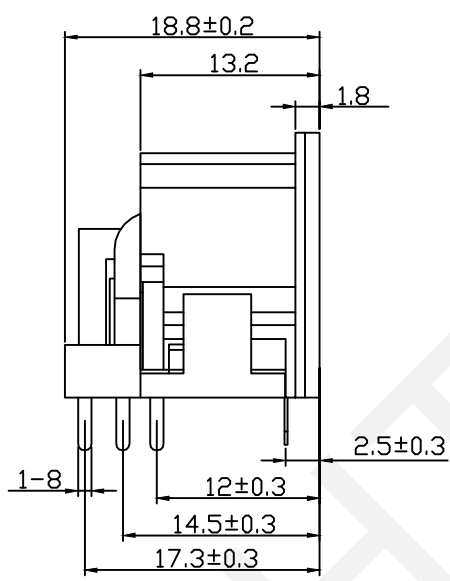
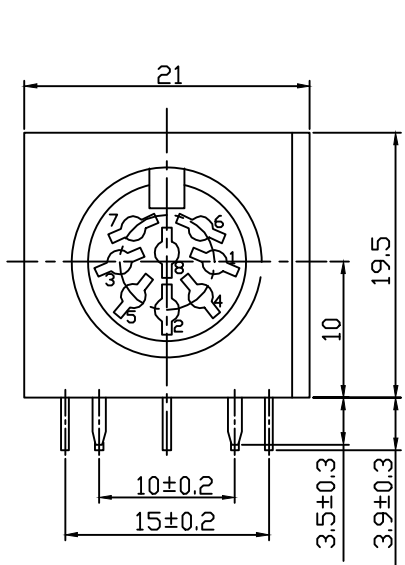
B

C

D

E

F



P.C.B LAYOUT

Material:

Base:PBT UL94V-0

Contact:H62 Brass

Environmental:

Operating Temperature:-25°C~+70°C

Electrical:

Rated Load:2A 100V AC

Dielectric Withstanding:500V AC(50Hz)/min

Insulation Resistance:≥100MΩ

CONTACT RESISTANCE:≤30mΩ

Insertion And Extraction Force:10-50N

Life:≥5000

ORDER INFORMATION

Product NO.: RHTAY93A-10.0-8P

DS Terminal Series

Pitch:10.0mm

Pin Number:8-8P



NINGBO RHT ELECTRONIC CO.,LTD

UNITS:mm	SHEET SIZE: A4			SCALE:---	DRWN BY PAN
0~3	3~18	18~50	50~120	CHK'D BY FENG	THIRD ANGLE PROJECTION 
±0.12	±0.15	±0.3	±0.5	APPR BY ZHAN	

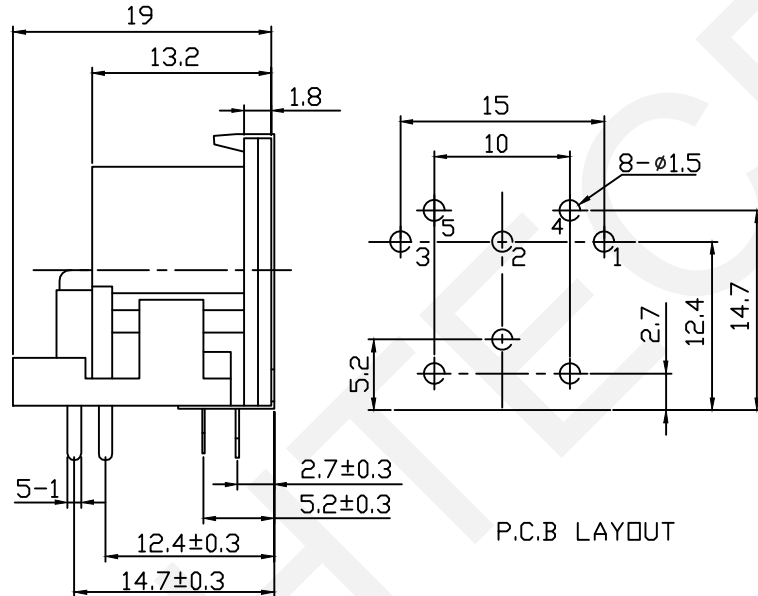
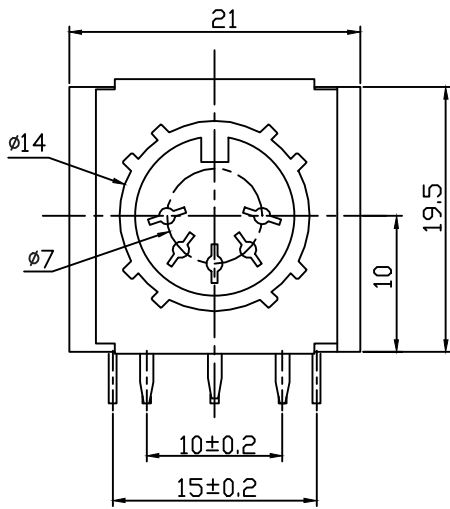
DS Terminal Series

RHTAY93A-10.0-8P

1 2 3 4 5 6 7 8 9

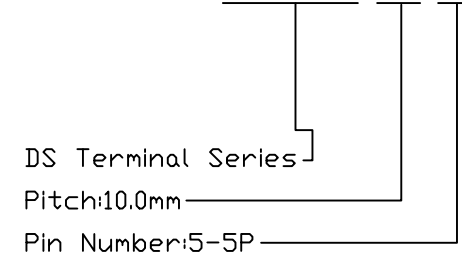
G

G



Material:  
 Base:PBT UL94V-0  
 Contact:H62 Brass  
 Environmental:  
 Operating Temperature:-25°C~+70°C  
 Electrical:  
 Rated Load:2A 100V AC  
 Dielectric Withstanding:500V AC(50Hz)/min  
 Insulation Resistance:≥100MΩ  
 CONTACT RESISTANCE:≤30mΩ  
 Insertion And Extraction Force:10-50N  
 Life:≥5000

ORDER INFORMATION  
 Product NO.: RHTAY93L-10.0-5P



**RHTECP** NINGBO RHT ELECTRONIC CO.,LTD

UNITS:mm	SHEET SIZE: A4			SCALE:---	DRWN BY PAN
0~3	3~18	18~50	50~120	CHK'D BY FENG	THIRD ANGLE PROJECTION 
±0.12	±0.15	±0.3	±0.5	APPR BY ZHAN	

DS Terminal Series  
 RHTAY93L-10.0-5P