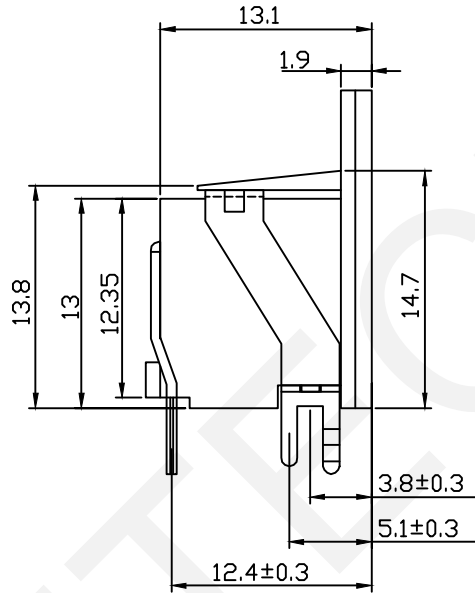


P.C.B. Layout



Material:
 Base:PBT UL94V-0
 Contact:H62 Brass
 Environmental:
 Operating Temperature:-22°C~+70°C
 Electrical:
 Rated Load:DC 30V 2A
 Dielectric Withstanding:AC250V(50Hz)/min
 Insulation Resistance:≥100MΩ
 Contact Resistance:≤0.03Ω
 Insertion and Extraction Force:5-35N
 Life:5000

ORDER INFORMATION

Product NO.:RHTAYS-2-02

DS Terminal Series

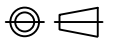
Pin Number:2-2P

Serial Number

RHTECP NINGBO RHT ELECTRONIC CO.,LTD

UNITS:mm	SHEET SIZE: A4	SCALE:---	DRWN BY PAN
0~3	3~18	18~50	50~120
±0.12	±0.15	±0.3	±0.5

CHK'D BY FENG
 APPR BY ZHAN

DS Terminal Series
 THIRD ANGLE PROJECTION

 RHTAYS-2-02