

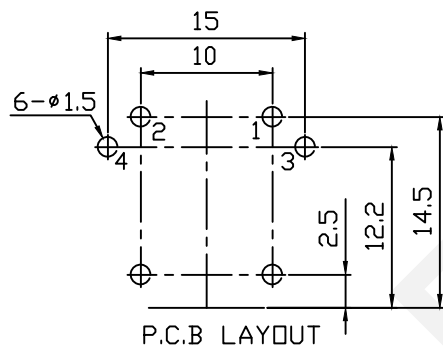
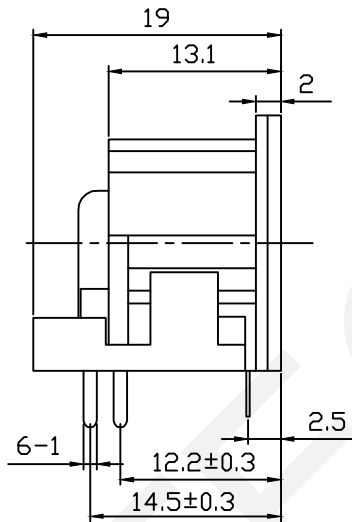
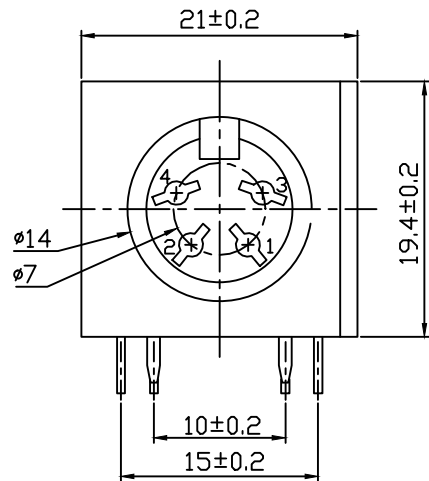
Material:
 Base:PBT UL94V-0
 Contact:H62 Brass
 Environmental:
 Operating Temperature:-22°C~+70°C
 Electrical:
 Rated Load:DC 30V 2A
 Dielectric Withstanding:AC250V(50Hz)/min
 Insulation Resistance:≥100MΩ
 CONTACT RESISTANCE:≤0.03Ω
 Insertion and Extraction Force:5-35N
 Life:5000

ORDER INFORMATION
 Product NO.:RHTAYS-3-03
 DS Terminal Series
 Pin Number:3-3P
 Serial Number

RHTECP NINGBO RHT ELECTRONIC CO.,LTD

UNITS:mm	SHEET SIZE: A4			SCALE:---	DRWN BY PAN
0~3	3~18	18~50	50~120	CHK'D BY FENG	
±0.12	±0.15	±0.3	±0.5	APPR BY ZHAN	

DS Terminal Series	
THIRD ANGLE PROJECTION	RHTAYS-3-03



Material:
 Base:PBT UL94V-0
 Contact:H62 Brass
 Environmental:
 Operating Temperature:-25°C~+70°C
 Electrical:
 Rated Load:2A 100V AC
 Dielectric Withstanding:500V AC(50Hz)/1min
 Insulation Resistance:≥100MΩ
 Contact Resistance:≤30mΩ
 Insertion and Extraction Force:10-50N
 Life:≥5000

ORDER INFORMATION
 Product NO.:RHTAYS-4-03

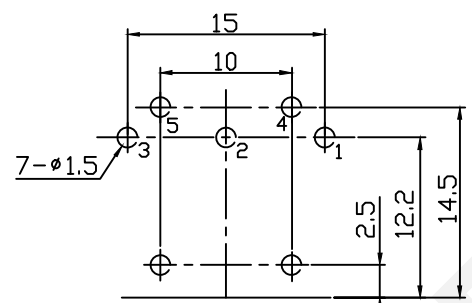
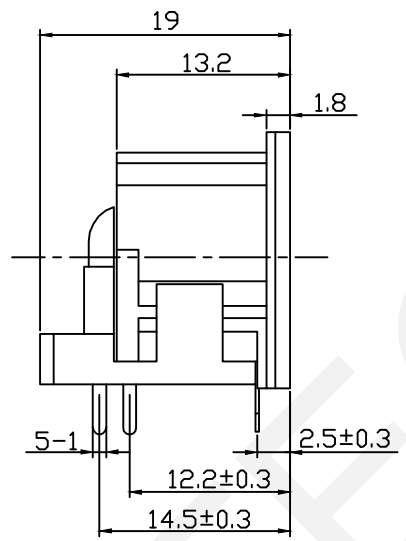
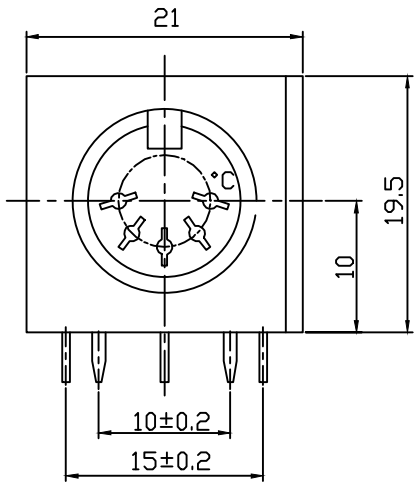
DS Terminal Series
 Pin Number:4-4P
 Serial Number

RHTECP NINGBO RHT ELECTRONIC CO.,LTD

UNITS:mm	SHEET SIZE: A4	SCALE:---	DRWN BY PAN
0~3	3~18	18~50	50~120
±0.12	±0.15	±0.3	±0.5

CHK'D BY FENG
 APPR BY ZHAN

DS Terminal Series
 THIRD ANGLE PROJECTION
 RHTAYS-4-03



P.C.B LAYOUT

Material:
 Base:PBT UL94V-0
 Contact:H62 Brass
 Environmental:
 Operating Temperature:-25°C~+70°C
 Electrical:
 Rated Load:2A 100V AC
 Dielectric Withstanding:500V AC(50Hz)/1min
 Insulation Resistance:≥100MΩ
 Contact Resistance:≤30mΩ
 Insertion and Extraction Force:10-50N
 Life:≥5000

ORDER INFORMATION

Product NO.:RHTAYS-5-03

DS Terminal Series

Pin Number:5-5P

Serial Number

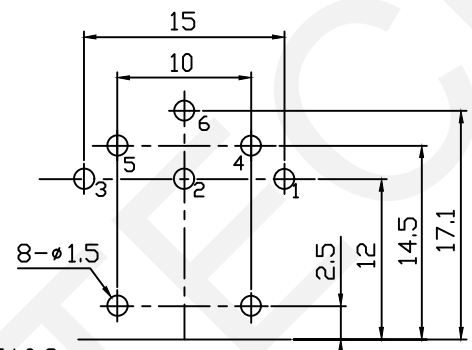
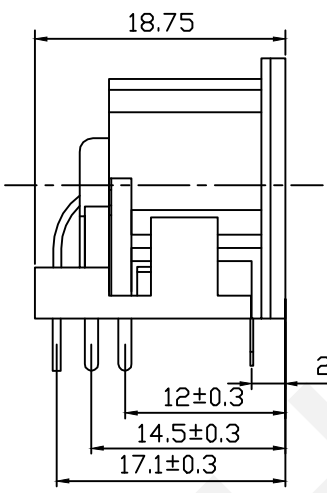
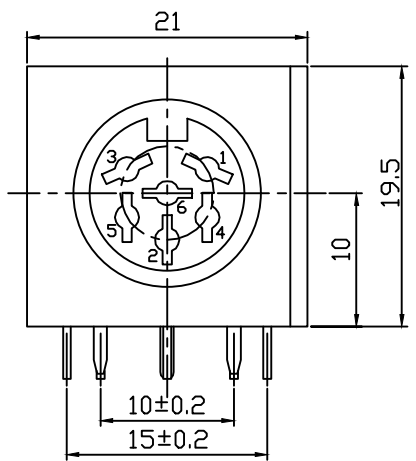


RHTECP NINGBO RHT ELECTRONIC CO.,LTD

UNITS:mm	SHEET SIZE: A4			SCALE:----	DRWN BY PAN
0~3	3~18	18~50	50~120	CHK'D BY FENG	THIRD ANGLE PROJECTION
±0.12	±0.15	±0.3	±0.5	APPR BY ZHAN	

DS Terminal Series

RHTAYS-5-03



Material:
 Base:PBT UL94V-0
 Contact:H62 Brass
 Environmental:
 Operating Temperature:-25°C~+70°C
 Electrical:
 Rated Load:2A 100V AC
 Dielectric Withstanding:500V AC(50Hz)/1min
 Insulation Resistance:≥100MΩ
 Contact Resistance:≤30mΩ
 Insertion and Extraction Force:10-50N
 Life:≥5000

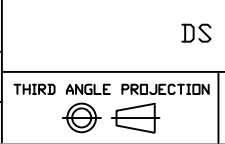
ORDER INFORMATION
 Product NO.:RHTAYS-6-03
 DS Terminal Series
 Pin Number:6-6P
 Serial Number



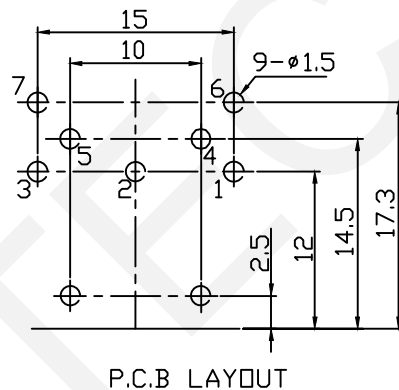
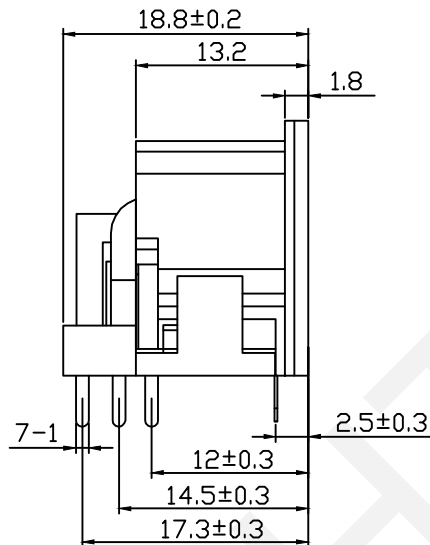
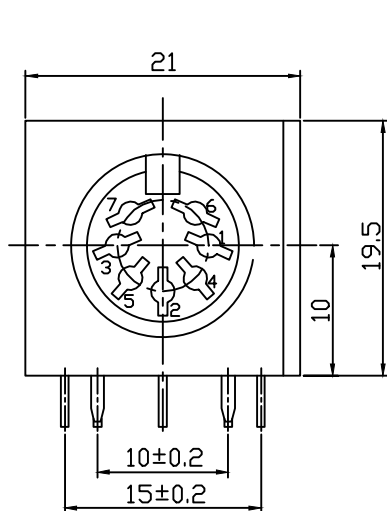
NINGBO RHT ELECTRONIC CO.,LTD

UNITS:mm	SHEET SIZE: A4	SCALE:---	DRWN BY PAN
0~3	3~18	18~50	50~120
±0.12	±0.15	±0.3	±0.5

CHK'D BY FENG
 APPR BY ZHAN



DS Terminal Series
 RHTAYS-6-03



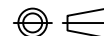
Material:
 Base:PBT UL94V-0
 Contact:H62 Brass
 Environmental:
 Operating Temperature:-25°C~+70°C
 Electrical:
 Rated Load:2A 100V AC
 Dielectric Withstanding:500V AC(50Hz)/1min
 Insulation Resistance:≥100MΩ
 Contact Resistance:≤30mΩ
 Insertion and Extraction Force:10-50N
 Life:≥5000

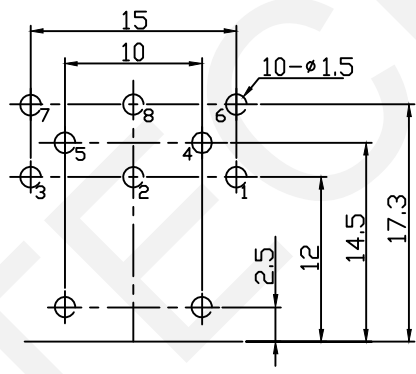
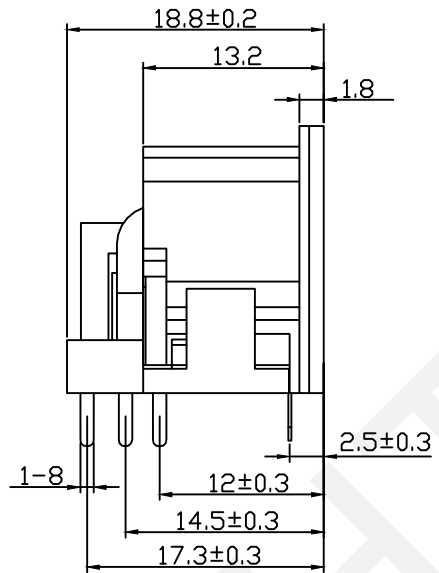
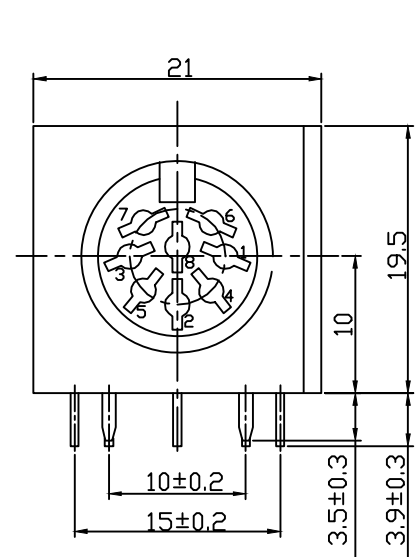
ORDER INFORMATION
 Product NO.:RHTAYS-7-03
 DS Terminal Series
 Pin Number:7-7P
 Serial Number

RHTECP NINGBO RHT ELECTRONIC CO.,LTD

UNITS:mm	SHEET SIZE: A4			SCALE:---	DRWN BY PAN
0~3	3~18	18~50	50~120	CHK'D BY FENG	
±0.12	±0.15	±0.3	±0.5	APPR BY ZHAN	

DS Terminal Series	
THIRD ANGLE PROJECTION	RHTAYS-7-03





P.C.B LAYOUT

Material:
 Base:PBT UL94V-0
 Contact:H62 Brass
 Environmental:
 Operating Temperature:-25°C~+70°C
 Electrical:
 Rated Load:2A 100V AC
 Dielectric Withstanding:500V AC(50Hz)/1min
 Insulation Resistance:≥100MΩ
 Contact Resistance:≤30mΩ
 Insertion and Extraction Force:10-50N
 Life:≥5000

ORDER INFORMATION
 Product NO.:RHTAYS-8-03
 DS Terminal Series
 Pin Number:8-8P
 Serial Number



NINGBO RHT ELECTRONIC CO.,LTD

UNITS:mm	SHEET SIZE: A4				SCALE:---	DRWN BY PAN
0~3	3~18	18~50	50~120	CHK'D BY FENG	THIRD ANGLE PROJECTION	
±0.12	±0.15	±0.3	±0.5	APPR BY ZHAN	RHTAYS-8-03	



DS Terminal Series
 RHTAYS-8-03