

Without Shrapnel

MATERIAL

Insulator: PBT+Glass Fiber, UL94v-0

Contact: Phosphor Bronze

Shell: Spcc, Tin plated

Specification

Current Rating: 1 A Max.

Dielectric Withstanding Voltage: 750 V (AC) For 1 Min.

Contact Resistance: 30 mΩ Max.

Insulation Resistance: 1000 MΩ Min.

Temperature Range: -25°C ~ +70°C

Finishes

Contacts: Gold Flashed 1u",3u",5u",10u",15u",30u".

Shell: Nickel, Tin Or Gold Plated

ORDER INFORMATION

Product NO.: RHTAY55-4 G-0

MINI DIN Jack Right Angle Single Type

Pin Number _____

3 3P 4 4P 5 5P

6 6P 7 7P 8 8P

Color : B=Black G=Green P=Purple _____

Shrapnel _____

0 Without Shrapnel 1 With Shrapnel

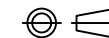
3 PIN	4 PIN	5 PIN	6 PIN	7 PIN	8 PIN

NINGBO RHT ELECTRONIC CO.,LTD

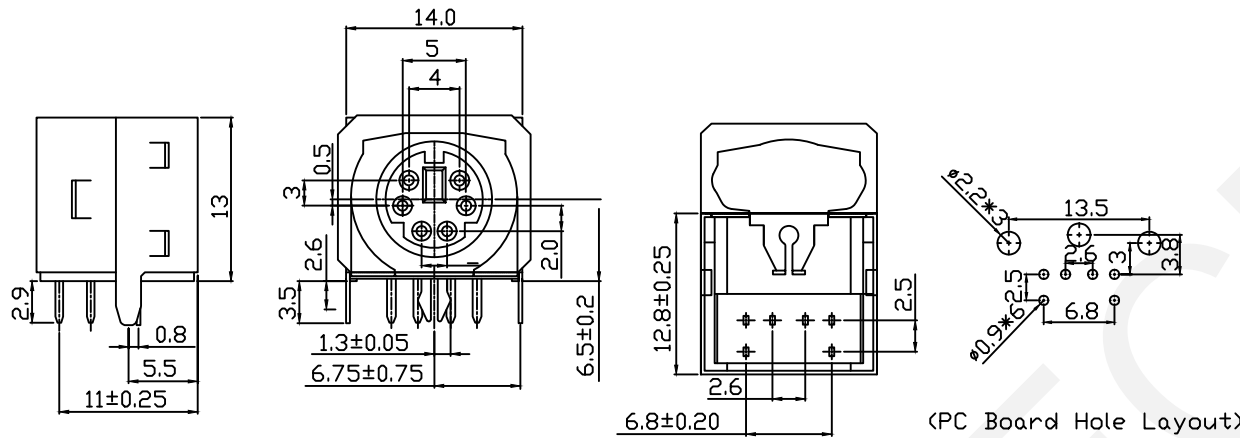
UNITS:mm	SHEET SIZE: A4			SCALE:---	DRWN BY PAN
0~3	3~18	18~50	50~120	CHK'D BY FENG	
±0.12	±0.15	±0.3	±0.5	APPR BY ZHAN	

MINI DIN Jack Right Angle Single Type

THIRD ANGLE PROJECTION



RHTAY55



With Shrapnel

MATERIAL

Insulator: PBT+Glass Fiber, UL94v-0

Contact: Phosphor Bronze

Shell: Spcc, Tin plated

Specification

Current Rating: 1 A Max.

Dielectric Withstanding Voltage: 750 V (AC) For 1 Min.

Contact Resistance: 30 mΩ Max.

Insulation Resistance: 1000 MΩ Min.

Temperature Range: -25°C ~ +70°C

Finishes

Contacts: Gold Flashed 1u", 3u", 5u", 10u", 15u", 30u".

Shell: Nickel, Tin Or Gold Plated

ORDER INFORMATION

Product NO.: RHTAY55-4 G-1

MINI DIN Jack Right Angle Single Type

Pin Number _____

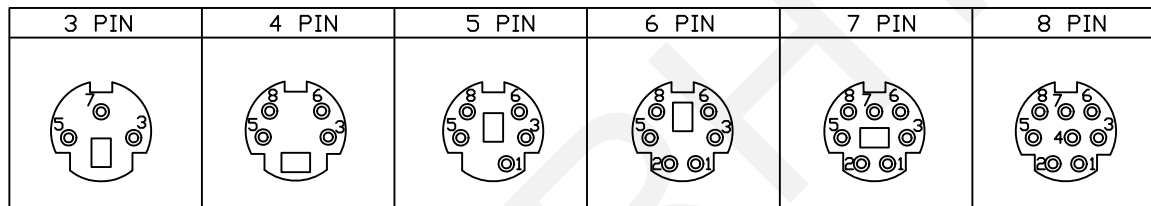
3 3P 4 4P 5 5P

6 6P 7 7P 8 8P

Color : B=Black G=Green P=Purple _____

Shrapnel _____

0 Without Shrapnel 1 With Shrapnel

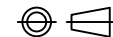


RHTECP NINGBO RHT ELECTRONIC CO.,LTD

UNITS:mm	SHEET SIZE: A4	SCALE:---	DRWN BY PAN
0~3	3~18	18~50	50~120
±0.12	±0.15	±0.3	±0.5
CHK'D BY FENG	APPR BY ZHAN		

MINI DIN Jack Right Angle Single Type

THIRD ANGLE PROJECTION



RHTAY55