

T:1.6 Dimensions Of PC Board Holes
Tolerance:±0.1(Printed-Bottom View)

UNLESS OTHERWISE SPECIFIED,
TOLERANCE ON DECIMAL:±0.3

MODEL NO.	104ES
SCHEMATIC	

Electrical Specification:

Contact Resistance : 30mΩ Max

Insulation Resistance : 50MΩ Min at DC 500V

Withstand Voltage : AC 500V(50Hz) 1min

Operating Temperature : -25°C~+85°C

Materials:

Housing : PBT UL94V~0

Outer Contact : Brass

Terminal : Brass

Cover : ABS UL94V~0

Order Information:

RHTAYCA-104ES-N-R

RCA Jack Type

N:Nickel Plated

Color: R:Red

B:Black Y:Yellow W:White

NINGBO RHT ELECTRONIC CO.,LTD

UNITS:mm	SHEET SIZE: A4			SCALE:---
0~3	3~18	18~50	50~120	
±0.12	±0.15	±0.3	±0.5	

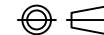
DRWN BY PAN

CHK'D BY FENG

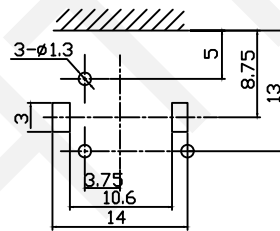
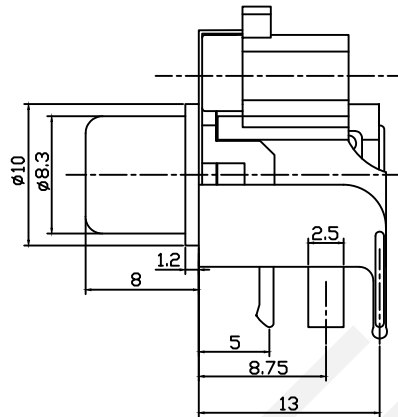
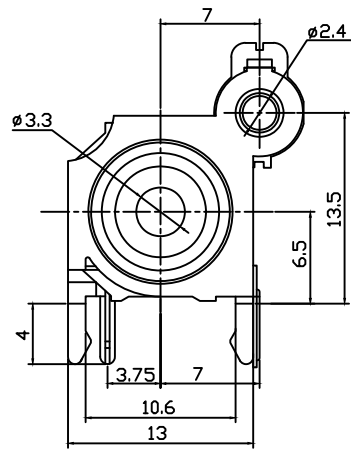
APPR BY ZHAN

Horizontal Pin Jack AV RCA

THIRD ANGLE PROJECTION



RHTAYCA-104ES



T:1.6 Dimensions Of PC Board Holes
Tolerance:±0.1(Printed-Bottom View)

UNLESS OTHERWISE SPECIFIED,
TOLERANCE ON DECIMAL:±0.3

MODEL NO.	104EL
SCHEMATIC	

Electrical Specification:

Contact Resistance : 30mΩ Max

Insulation Resistance : 50MΩ Min at DC 500V

Withstand Voltage : AC 500V(50Hz) 1min

Operating Temperature : -25°C~+85°C

Materials:

Housing : PBT UL94V~0

Outer Contact : Brass

Terminal : Brass

Cover : ABS UL94V~0

Order Information:

RHTAYCA-104EL-N-R

RCA Jack Type

N:Nickel Plated

Color: R:Red

B:Black Y:Yellow W:White

NINGBO RHT ELECTRONIC CO.,LTD

UNITS:mm	SHEET SIZE: A4			SCALE:---
0~3	3~18	18~50	50~120	
±0.12	±0.15	±0.3	±0.5	

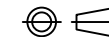
DRWN BY PAN

CHK'D BY FENG

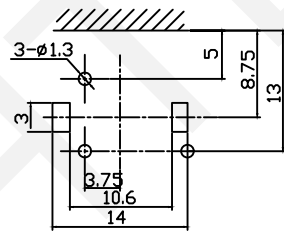
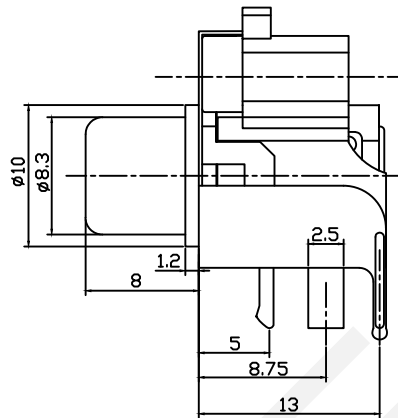
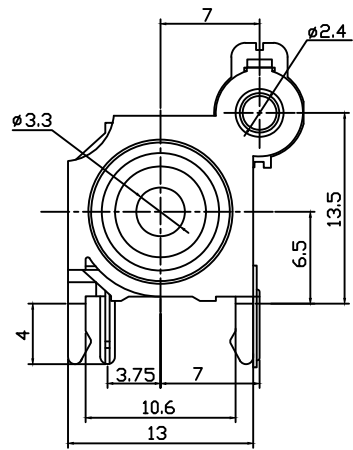
APPR BY ZHAN

Horizontal Pin Jack AV RCA

THIRD ANGLE PROJECTION



RHTAYCA-104EL



T:1.6 Dimensions Of PC Board Holes
Tolerance:±0.1(Printed-Bottom View)

UNLESS OTHERWISE SPECIFIED,
TOLERANCE ON DECIMAL:±0.3

MODEL NO.	104
SCHEMATIC	

Electrical Specification:

Contact Resistance : 30mΩ Max

Insulation Resistance : 50MΩ Min at DC 500V

Withstand Voltage : AC 500V(50Hz) 1min

Operating Temperature : -25°C~+85°C

Materials:

Housing : PBT UL94V~0

Outer Contact : Brass

Terminal : Brass

Cover : ABS UL94V~0

Order Information:

RHTAYCA-104-N-R

RCA Jack Type

N:Nickel Plated

Color: R:Red

B:Black Y:Yellow W:White

NINGBO RHT ELECTRONIC CO.,LTD

UNITS:mm	SHEET SIZE: A4			SCALE:---	DRWN BY PAN
0~3	3~18	18~50	50~120	CHK'D BY FENG	THIRD ANGLE PROJECTION
±0.12	±0.15	±0.3	±0.5	APPR BY ZHAN	

Horizontal Pin Jack AV RCA

RHTAYCA-104