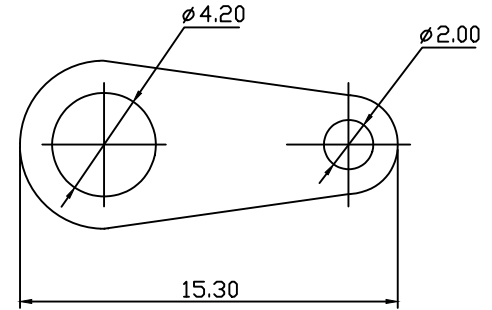


PANEL MOUNT



Solder Terminal

Order Information:

RHTAYIP-026-N-X

Binding Post

Contact Plated:

N-Nickel Plated

Color:

R-Red B-Black

7	Block Shot	PBT+Steel	PCS	1
6	Bush 1	PBT	PCS	1
5	Bush 2	PBT	PCS	1
4	Washer	9.0x4.4x0.6mm,Steel,Zn Plated	PCS	1
3	Solder Terminal	15.3x6.5x0.2mm,Steel, Tin Plated	PCS	1
2	NUT	Nut,M4,Nickel Plated	PCS	2
1	Screw Body	Zn,Nickel Plated	PCS	1
ITEM	PART NAME	Description	UNIT	Q'TY

**RHTECP** NINGBO RHT ELECTRONIC CO.,LTD

UNITS:mm	SHEET SIZE: A4			SCALE:---
0~3	3~18	18~50	50~120	
±0.12	±0.15	±0.3	±0.5	

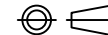
DRWN BY PAN

CHK'D BY FENG

APPR BY ZHAN

Binding Post Terminal

THIRD ANGLE PROJECTION



RHTAYIP-026