



QUARTZ CRYSTAL RESONATOR

PARAMETERS

RHTNYC49SMD

Nominal frequency range: 3.500-40.000 MHZ , 30.000~80.000 MHZ

Crystal cut: Fundamental [AT-cut], 3rd overtone [AT-cut]

Storage temperature range: -40°C~+85°C

Operating temperature range: -20°C~+70°C, -40°C~+85°C

Frequency temperature characteristics(Ref. to +25°C):  $\pm 50 \times 10^{-6}$

Frequency tolerance (at +25°C):  $\pm 30 \times 10^{-6}$

Equivalent series resistance: Please Refer to the Following ESR Table

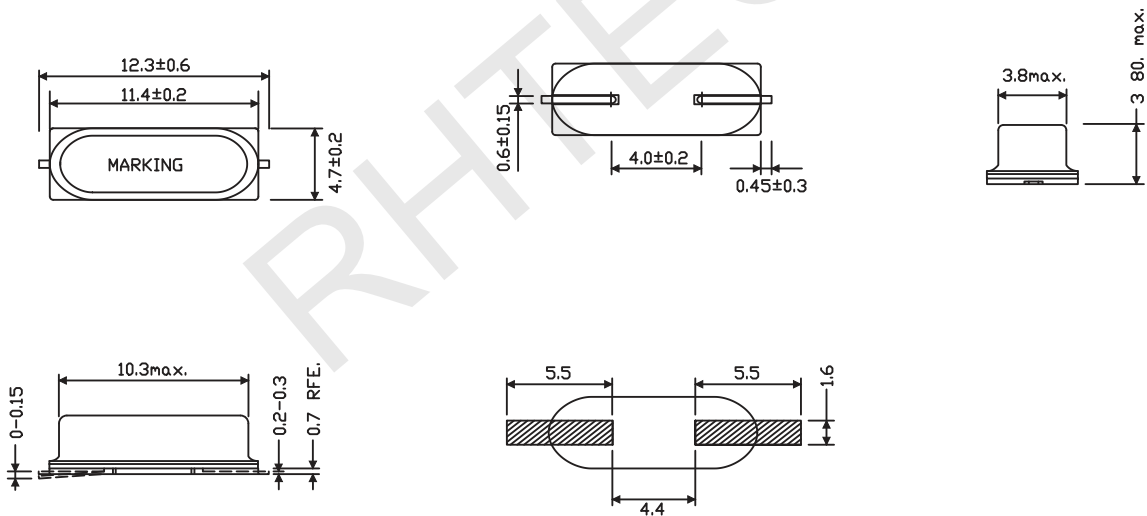
Load capacitance: Series, 16pF, 20pF,30pF

Shunt capacitance: 5pF max.

Level of drive: 10  $\mu$ W (100  $\mu$  .W max)



Outline and Dimensions [unit:mm]



Frequency	ESR( ) $\Omega$
Fundamental	
3.500 3.999	150
4.000 4.999	120
5.000 5.999	100
6.000 8.999	80
9.000 9.999	60
10.000 12.999	50
13.000 18.999	40
19.000 40.000	30
3rd overtone	
30.000 44.999	80
45.000 59.999	70
60.000 80.000	60

ORDER INFORMATION

