



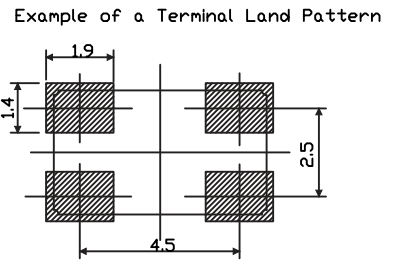
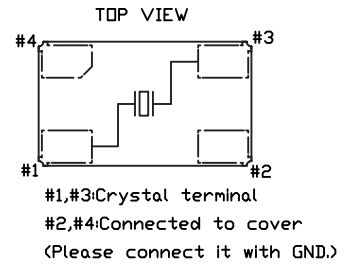
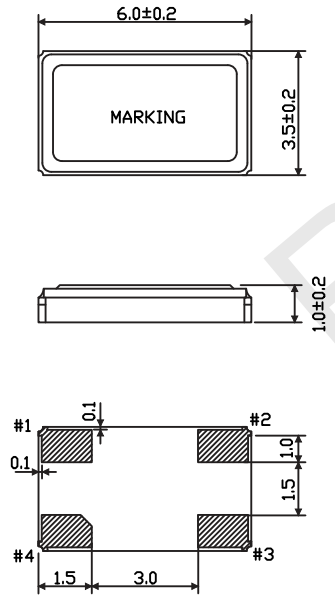
QUARTZ CRYSTAL RESONATOR

PARAMETERS RHTNYC6035

Nominal frequency range: 8.000 50.000MHz
 Crystal cut Fundamental: [AT-cut]
 Storage temperature range: -40°C+ 85°C
 Operating temperature range: -10°C+60°C -30°C~+85°C
 Frequency temperature characteristics (Ref. to +25)°C $\pm 10 \times 10^{-6} \pm 15 \times 10^{-6}$
 Frequency tolerance (at +25°C): $\pm 10 \times 10^{-6}$
 Equivalent series resistance: Please Refer to the Following ESR Table
 Load capacitance :Series, 10pF 12pF 16pF
 Shunt capacitance: 5pF max.
 Level of drive: 10µW(100µW.max.)



Outline and Dimensions [unit:mm]



| Frequency | ESR(Ω) |
|---------------|--------|
| Fundamental | |
| 8.000~8.999 | 80 |
| 9.000~9.999 | 60 |
| 10.000~11.999 | 50 |
| 12.000~24.999 | 40 |
| 25.000~50.000 | 30 |

ORDER INFORMATION

