

No Locking Pate
No Ground Link

Electrical Specification:

Contact Resistance: $\leq 0.03\Omega$

Insulation Resistance: $\geq 100m\Omega$

Withstand Voltage: 500V AC (50Hz)/minute

Rated Load: 50V DC, 1A

Insertion And Extraction Force: 4-40N

Temperature Range: $-30^{\circ}C$ to $+80^{\circ}C$

Order Information:

RHTAYLR-S01-03-M-S-L2.6

XLR Jack Series.┌

03=3PIN ─┘

M=Male ─┘

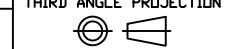
S=Dip Straight Pin ─┘

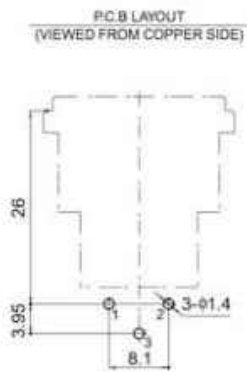
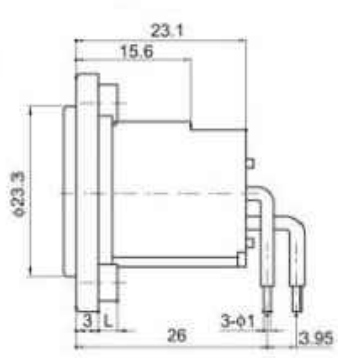
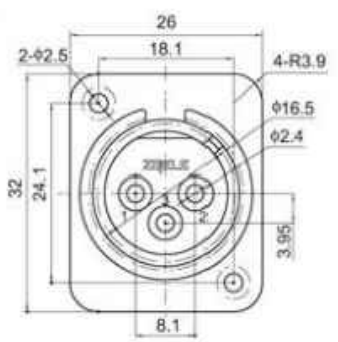
R=Dip Right Pin ─┘

RHTECP NINGBO RHT ELECTRONIC CO.,LTD

UNITS:mm	SHEET SIZE: A4			SCALE:---	DRWN BY PAN
0~3	3~18	18~50	50~120	CHK'D BY FENG	
±0.12	±0.15	±0.3	±0.5	APPR BY ZHAN	

XLR Socket	
THIRD ANGLE PROJECTION	RHTAYLR-S01

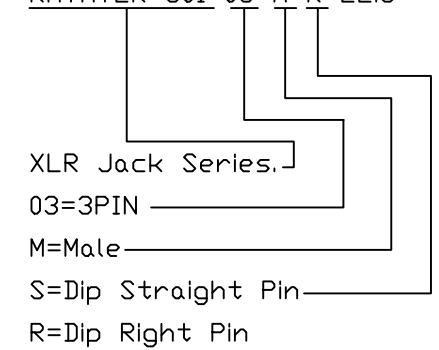




No Locking Pate
No Ground Link

Electrical Specification:
 Contact Resistance: $\leq 0.03\Omega$
 Insulation Resistance: $\geq 100m\Omega$
 Withstand Voltage: 500V AC (50Hz)/minute
 Rated Load: 50V DC, 1A
 Insertion And Extraction Force: 4-40N
 Temperature Range: $-30^{\circ}C$ to $+80^{\circ}C$

Order Information:
 RHTAYLR-S01-03-M-R-L2.6



RHTECP NINGBO RHT ELECTRONIC CO.,LTD

UNITS:mm	SHEET SIZE: A4		SCALE:---	DRWN BY PAN
0~3	3~18	18~50	50~120	CHK'D BY FENG
±0.12	±0.15	±0.3	±0.5	APPR BY ZHAN

XLR Socket
 THIRD ANGLE PROJECTION
 RHTAYLR-S01