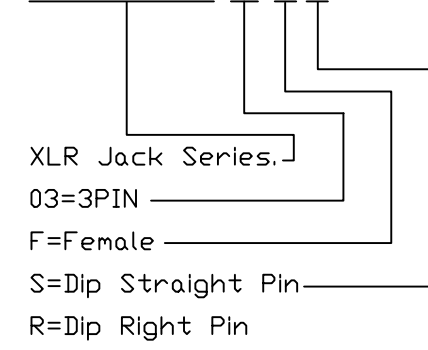


No Locking Pate
No Ground Link

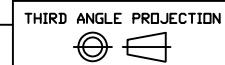
Electrical Specification:
 Contact Resistance: $\leq 0.03\Omega$
 Insulation Resistance: $\geq 100m\Omega$
 Withstand Voltage: 500V AC (50Hz)/minute
 Rated Load: 50V DC, 1A
 Insertion And Extraction Force: 4-40N
 Temperature Range: $-30^{\circ}C$ to $+80^{\circ}C$

Order Information:
 RHTAYLR-S03-03-F-R-L2.6

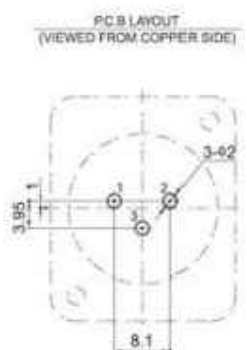
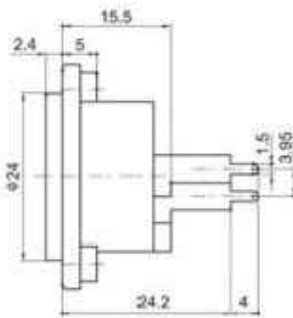
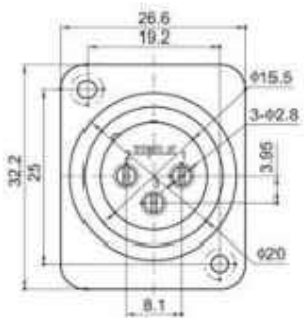


RHTECP NINGBO RHT ELECTRONIC CO.,LTD

UNITS:mm	SHEET SIZE: A4			SCALE:---	DRWN BY PAN
0~3	3~18	18~50	50~120	CHK'D BY FENG	XLR Socket
± 0.12	± 0.15	± 0.3	± 0.5	APPR BY ZHAN	



RHTAYLR-S03



No Locking Pate
No Ground Link

Electrical Specification:
 Contact Resistance: $\leq 0.03\Omega$
 Insulation Resistance: $\geq 100m\Omega$
 Withstand Voltage: 500V AC (50Hz)/minute
 Rated Load: 50V DC, 1A
 Insertion And Extraction Force: 4-40N
 Temperature Range: $-30^{\circ}C$ to $+80^{\circ}C$

Order Information:
 RHTAYLR-S03-03-F-S-L2.6

XLR Jack Series.┐
 03=3PIN ───┐
 F=Female ───┐
 S=Dip Straight Pin ───┐
 R=Dip Right Pin ───┐

RHTECP NINGBO RHT ELECTRONIC CO.,LTD

UNITS:mm	SHEET SIZE: A4			SCALE:---	DRWN BY PAN
0~3	3~18	18~50	50~120	CHK'D BY FENG	
±0.12	±0.15	±0.3	±0.5	APPR BY ZHAN	

XLR Socket	
THIRD ANGLE PROJECTION	RHTAYLR-S03