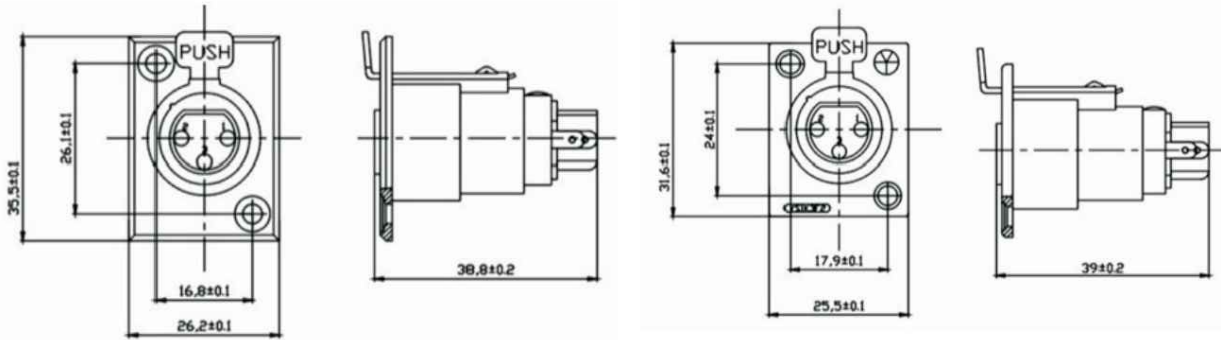


Electrical Specification:
 Contact Resistance: $\leq 0.03\Omega$
 Insulation Resistance: $\geq 100m\Omega$
 Withstand Voltage: 500V AC (50Hz)/minute
 Rated Load: 50V DC, 1A
 Insertion And Extraction Force: 4-40N
 Temperature Range: -30°C to $+80^{\circ}\text{C}$

Order Information:

RHTAYLR-S07-03-F-S1

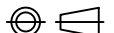
XLR Jack Series.
 03=3Pin 04=4Pin
 05=5Pin 06=6Pin 07=7Pin
 M=Male F=Female
 S=Solder Type Straight Pin
 S1 Or S2 Or S3

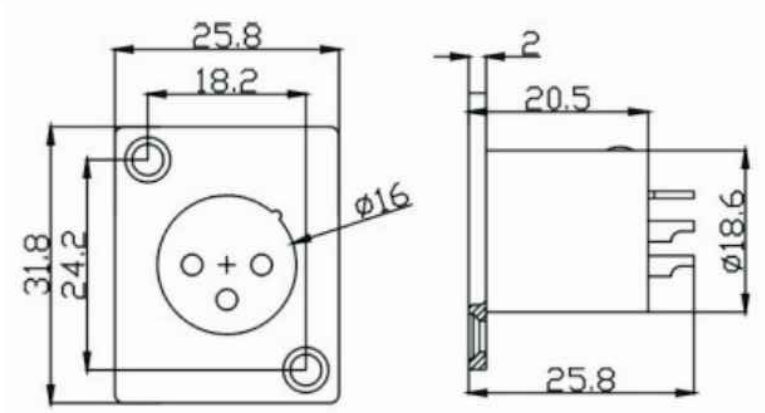
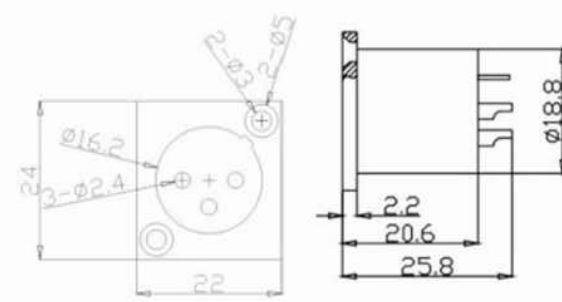
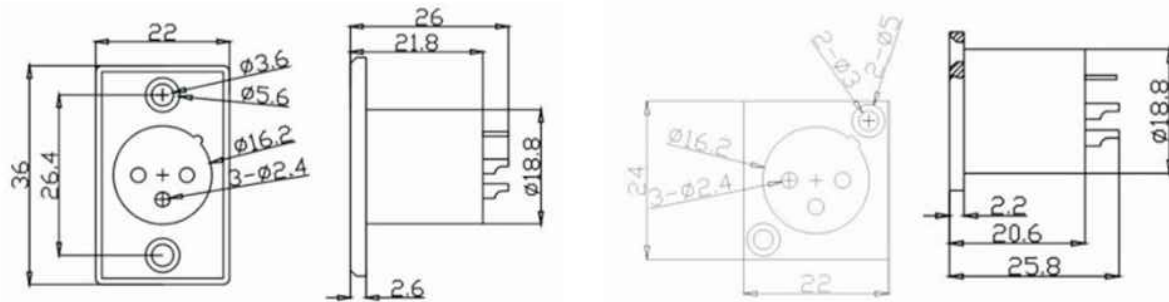


RHTECP NINGBO RHT ELECTRONIC CO.,LTD

UNITS:mm	SHEET SIZE: A4			SCALE:---
0~3	3~18	18~50	50~120	
±0.12	±0.15	±0.3	±0.5	

DRWN BY PAN
 CHK'D BY FENG
 APPR BY ZHAN

XLR Socket
 THIRD ANGLE PROJECTION

 RHTAYLR-S07



Electrical Specification:
 Contact Resistance: $\leq 0.03\Omega$
 Insulation Resistance: $\geq 100m\Omega$
 Withstand Voltage: 500V AC (50Hz)/minute
 Rated Load: 50V DC, 1A
 Insertion And Extraction Force: 4-40N
 Temperature Range: -30°C to $+80^{\circ}\text{C}$

Order Information:
 RHTAYLR-S07-03-M-S1

XLR Jack Series.
 03=3Pin 04=4Pin
 05=5Pin 06=6Pin 07=7Pin
 M=Male F=Female
 S=Solder Type Straight Pin
 S1 Or S2 Or S3

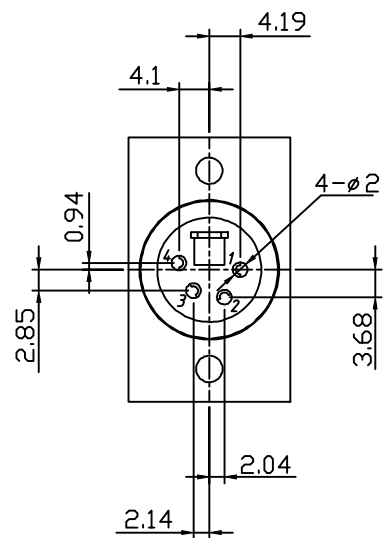
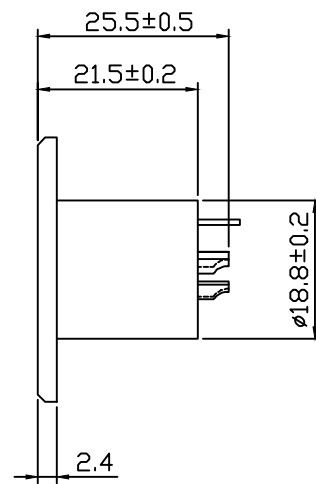
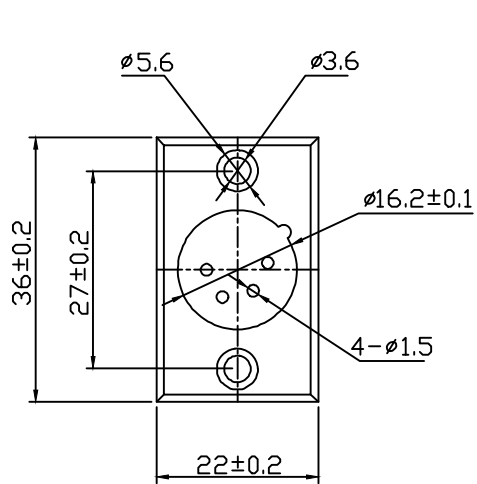
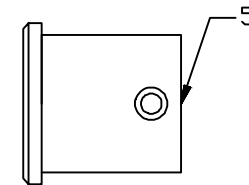
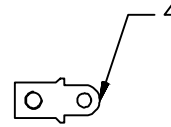
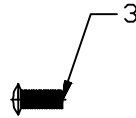
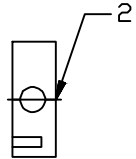
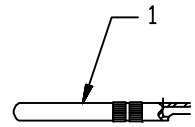
RHTECP NINGBO RHT ELECTRONIC CO.,LTD

UNITS:mm	SHEET SIZE: A4			SCALE:---
0~3	3~18	18~50	50~120	
± 0.12	± 0.15	± 0.3	± 0.5	

DRWN BY PAN
 CHK'D BY FENG
 APPR BY ZHAN

XLR Socket
 THIRD ANGLE PROJECTION

 RHTAYLR-S07



Material:
 1:Pin:Copper,Silver-Plate
 2:4Pin Slice:PPD
 3:Screw:Iron, Nickel Plated
 4:Solder Patch:Copper,Silver-Plate
 5:Shell:Aluminium Alloy,Nickel Plated

RHTECP NINGBO RHT ELECTRONIC CO.,LTD

UNITS:mm	SHEET SIZE: A4			SCALE:---	DRWN BY PAN
0~3	3~18	18~50	50~120	CHK'D BY FENG	THIRD ANGLE PROJECTION
±0.12	±0.15	±0.3	±0.5	APPR BY ZHAN	

XLR Socket
 RHTAYLR-S07