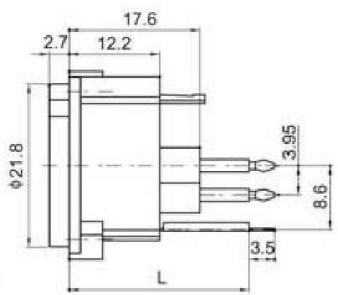
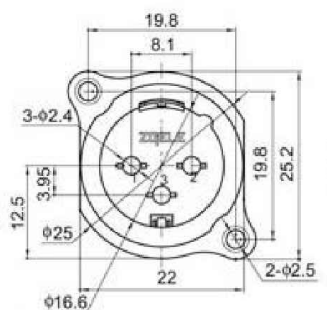


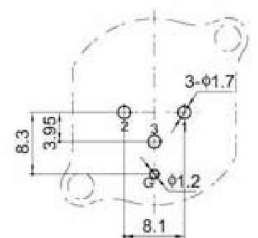
Electrical Specification:
 Contact Resistance: $\leq 0.03\Omega$
 Insulation Resistance: $\geq 100m\Omega$
 Withstand Voltage: 500V AC (50Hz)/minute
 Rated Load: 50V DC, 1A
 Insertion And Extraction Force: 4-40N
 Temperature Range: $-30^{\circ}C$ to $+80^{\circ}C$

Order Information:
 RHTAYLR-S12-03-M-S-W-N

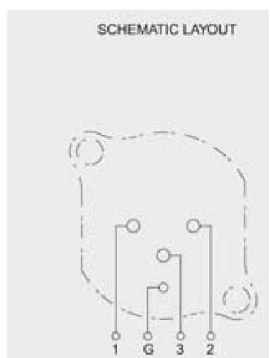
XLR Jack Series.
 03=3PIN
 M=Male F=Female
 S=Dip Straight Pin
 R=Dip Right Pin
 N=No Ground Link Terminal
 W=With Ground Link Terminal
 N=No Locking W=With Locking



P.C.B LAYOUT
 (VIEWED FROM COPPER SIDE)



SCHEMATIC LAYOUT

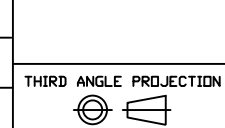


No Locking Pate
 K Type Ground Link

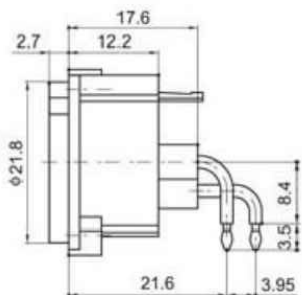
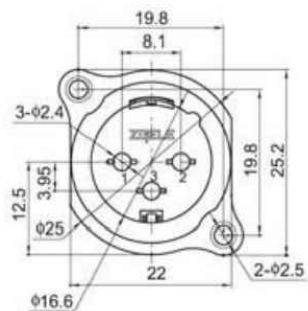


NINGBO RHT ELECTRONIC CO.,LTD

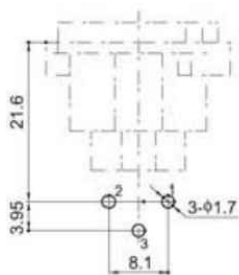
UNITS:mm	SHEET SIZE: A4			SCALE:---	DRWN BY PAN
0~3	3~18	18~50	50~120	CHK'D BY FENG	
±0.12	±0.15	±0.3	±0.5	APPR BY ZHAN	



XLR Socket
 RHTAYLR-S12



PCB LAYOUT
(VIEWED FROM COPPER SIDE)



SCHEMATIC LAYOUT



No Locking Pate
No Ground Link

Electrical Specification:

Contact Resistance: $\leq 0.03\Omega$

Insulation Resistance: $\geq 100m\Omega$

Withstand Voltage: 500V AC (50Hz)/minute

Rated Load: 50V DC, 1A

Insertion And Extraction Force: 4-40N

Temperature Range: $-30^{\circ}C$ to $+80^{\circ}C$

Order Information:

RHTAYLR-S12-03-M-R-N-N

XLR Jack Series.

03=3PIN

M=Male F=Female

S=Dip Straight Pin

R=Dip Right Pin

N=No Ground Link Terminal

W=With Ground Link Terminal

N=No Locking W=With Locking

RHTECP NINGBO RHT ELECTRONIC CO.,LTD

UNITS:mm	SHEET SIZE: A4			SCALE:---	DRWN BY PAN
0~3	3~18	18~50	50~120	CHK'D BY FENG	
±0.12	±0.15	±0.3	±0.5	APPR BY ZHAN	



XLR Socket

RHTAYLR-S12

1 2 3 4 5 6 7 8 9

A

A

B

B

C

C

D

D

E

E

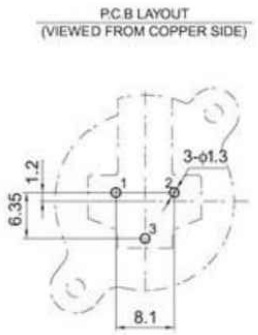
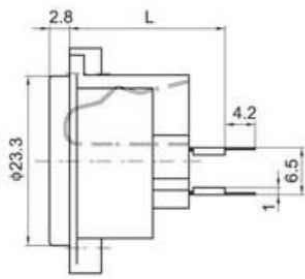
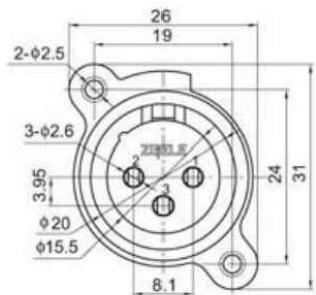
F

F

Electrical Specification:
 Contact Resistance: $\leq 0.03\Omega$
 Insulation Resistance: $\geq 100m\Omega$
 Withstand Voltage: 500V AC (50Hz)/minute
 Rated Load: 50V DC, 1A
 Insertion And Extraction Force: 4-40N
 Temperature Range: $-30^{\circ}C$ to $+80^{\circ}C$

Order Information:
 RHTAYLR-S12-03-F-S-N-W

XLR Jack Series.
 03=3PIN
 M=Male F=Female
 S=Dip Straight Pin
 R=Dip Right Pin
 N=No Ground Link Terminal
 W=With Ground Link Terminal
 N=No Locking W=With Locking



F Type Locking Pate
 No Ground Link

RHTECP NINGBO RHT ELECTRONIC CO.,LTD

UNITS:mm	SHEET SIZE: A4			SCALE:---	DRWN BY PAN
0~3	3~18	18~50	50~120	CHK'D BY FENG	
±0.12	±0.15	±0.3	±0.5	APPR BY ZHAN	

XLR Socket
 THIRD ANGLE PROJECTION
 RHTAYLR-S12

1 2 3 4 5 6 7 8 9

G

G