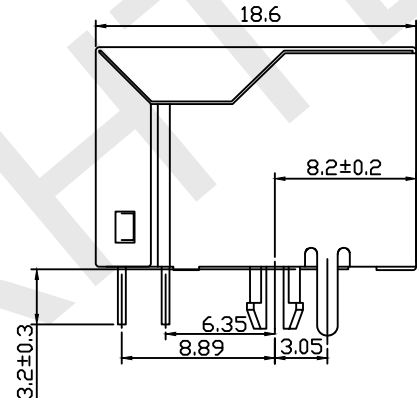
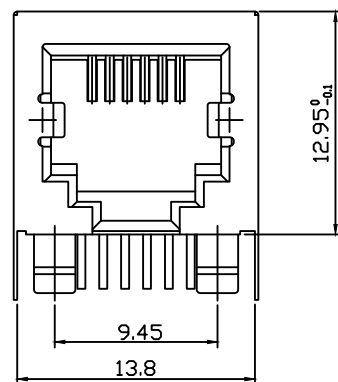


PCB Layout



Material:
 Housing:PBT+Glass Filled Polyester
 Flammability Rating : UL94V-0
 Contacts: Phosphor Bronze Ø0.46mm
 Plating:Gold Plating
 Shield:Brass,Tin Plating

Electrical:
 Voltage Rating:125VAC
 Current Rating:1.5A
 Contact Resistance:30mΩ Max.
 Insulation Resistance:500MΩ Min.
 Dielectric Strength:1000VAC Rms 50Hz, 1 Min.
 Durability:600 cycles Min.
 Operation Temperature:-40℃~+70℃

Order Information

RHTLYC25-6P6C -1x1-W-1-XX

Contacts:6P6C
 Shield Peg Code:
 1-Front 3.05mm
 Plating Code:
 01-Fu' Gold Plating
 02-3u' Gold Plating
 03-6u' Gold Plating
 04-15u' Gold Plating
 05-30u' Gold Plating

UNITS:mm	SHEET SIZE: A4	SCALE:---	DRWN BY PAN
0~3	3~18	18~50	50~120
±0.12	±0.15	±0.3	±0.5
CHK'D BY FENG		APPR BY ZHAN	

Modular jacks,PJ12-6P6C,with shield	
THIRD ANGLE PROJECTION	RHTLYC25-6P6C-1x1-W-1-XX