

With Shield

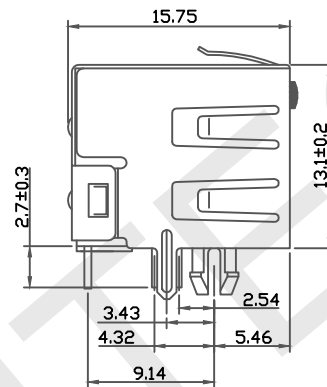
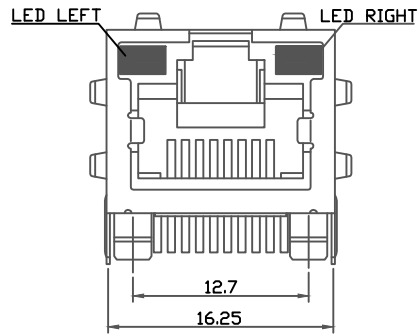
Material:
 Housing: PBT+Glass Filled Polyester
 Flammability Rating: UL94V-0
 Contacts: Phosphor Bronze $\varnothing 0.46$ mm
 Plating: Gold Plating
 Shield: Brass, Tin Plating

Electrical:
 Voltage Rating: 125VAC
 Current Rating: 1.5A
 Contact Resistance: 30m Ω Max.
 Insulation Resistance: 500M Ω Min.
 Dielectric Strength: 1000VAC Rms 50Hz, 1 Min.
 Durability: 600 cycles Min.
 Operation Temperature: -40 $^{\circ}$ C ~ +85 $^{\circ}$ C

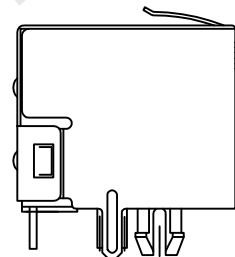
Order Information

RHTLY08-8P8C-1X1-X-G/Y-0-XX

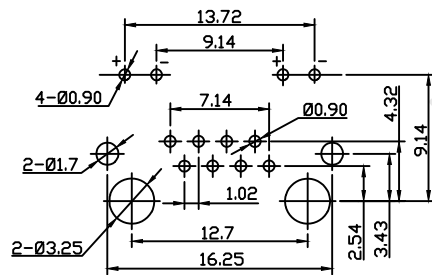
Contacts: 8P8C
 Shield Code:
 1-with Shield
 2-with EMI Shield
 3-TOP EMI shield
 LED Code: LEFT/RIGHT
 G/Y Green/Yellow
 Y/G -Yellow/Green
 Plating Code:
 01-Fu' Gold Plating
 02-3u' Gold Plating
 03-6u' Gold Plating
 04-15u' Gold Plating
 05-30u' Gold Plating



With EMI Shield



TOP EMI Shield

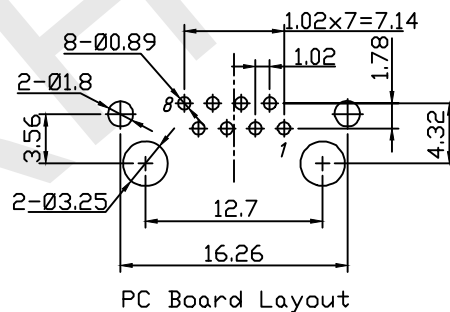
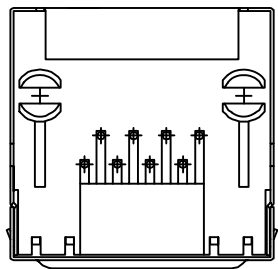
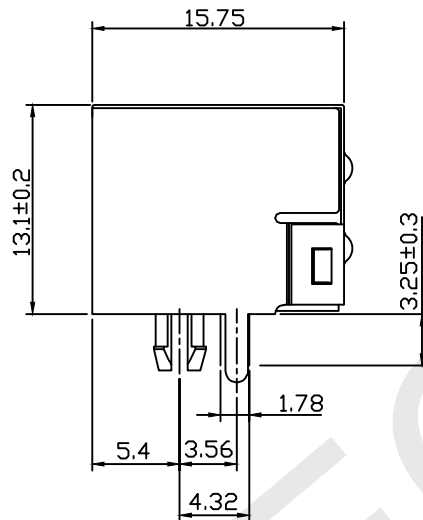
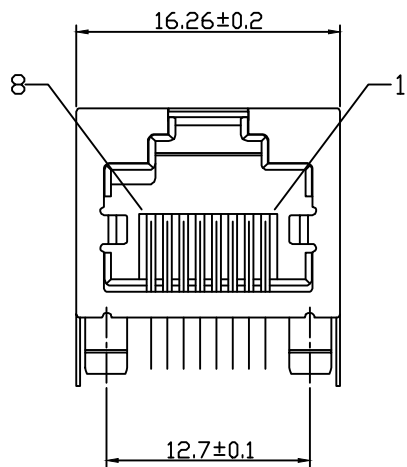


PCB Layout

RHTECP NINGBO RHT ELECTRONIC CO.,LTD

UNITS:mm	SHEET SIZE: A4	SCALE:---	DRWN BY PAN
0~3	3~18	18~50	50~120
±0.12	±0.15	±0.3	±0.5
			CHK'D BY FENG
			APPR BY ZHAN

Modular jacks with LED,RJ45-8P8C 1X1 with SHELL	
THIRD ANGLE PROJECTION	RHTLY08-8P8C 1X1-X-X/X-0-XX



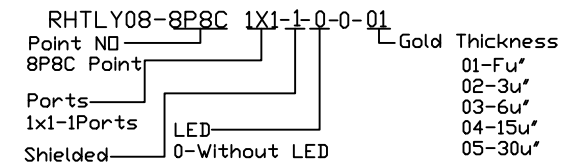
Material:

- 1.Housing:PBT,PA66,PA46,UL94V-0
- 2.Contact:Phosphor Bronze \varnothing 0.46mm
- 3.Shield:0.20mm Thickness Copper Alloy,Nickel Plated
- 4.Plating: Gold plating over nickel.

Electrical:

- 1.Current Rating:1.5A
- 2.Voltage Rating:125VAC
- 3.Contact Resistance:30M Ω Max.
- 4.Insulation Resistance:500M Ω Min @500VDC
- 5.Withstanding Voltage:1000VAC 50Hz or 60Hz 1min
- 6.Durability:750 cycles Min
- 7.Operation:-40 $^{\circ}$ C+85 $^{\circ}$ C

Order Information



RHTECP NINGBO RHT ELECTRONIC CO.,LTD

UNITS:mm	SHEET SIZE: A4			SCALE:---	DRWN BY PAN
0~3	3~18	18~50	50~120	CHK'D BY FENG	
±0.12	±0.15	±0.3	±0.5	APPR BY ZHAN	

Modular jacks RJ45-8P8C Jack

THIRD ANGLE PROJECTION

RHTLY08-8P8C-1X1-1-0-0-01