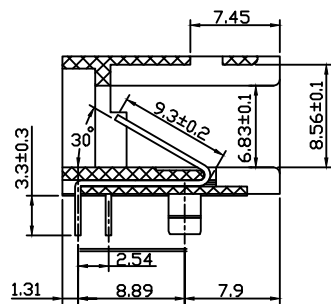
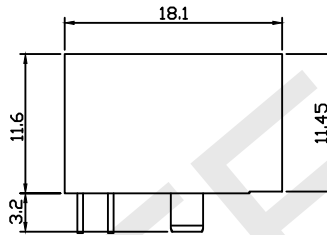
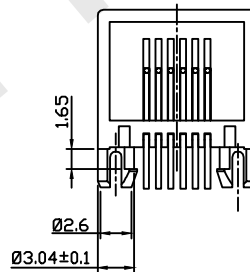


PCB Layout



SECTION A-A



Material:  
 Housing:PBT+Glass Filled Polyester  
 Flammability Rating :UL94V-0  
 Contacts: Phosphor Bronze  $\varnothing 0.46\text{mm}$   
 Plating:Gold Plating

Electrical:  
 Voltage Rating:125VAC  
 Current Rating:1.5A  
 Contact Resistance:30m $\Omega$  Max.  
 Insulation Resistance: 500M $\Omega$  Min.  
 Dielectric Strength:1000VAC Rms50Hz, 1 Min.  
 Durability:600 cycles Min.  
 Operation Temperature:-40 $^{\circ}\text{C}$ +70 $^{\circ}\text{C}$

Order Information

RHTLY41-6P6C - 1 - XX

Contacts:6P6C  
 Color Code:  
 1-Black

Plating Code:  
 01-Fu' Gold Plating  
 02-3u' Gold Plating  
 03-6u' Gold Plating  
 04-15u' Gold Plating  
 05-30u' Gold Plating

NINGBO RHT ELECTRONIC CO.,LTD

UNITS:mm	SHEET SIZE: A4	SCALE:---	DRWN BY PAN
0~3	3~18	18~50	50~120
±0.12	±0.15	±0.3	±0.5

CHK'D BY FENG  
 APPR BY ZHAN

RJ12-6P6C 1X1 Modular Jacks

THIRD ANGLE PROJECTION

RHTLY41-6P6C-1-XX