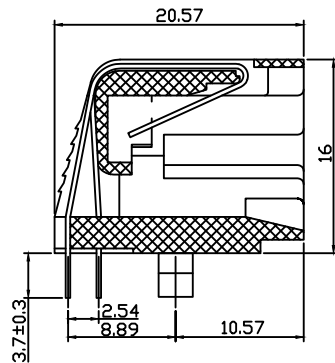
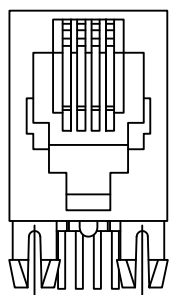
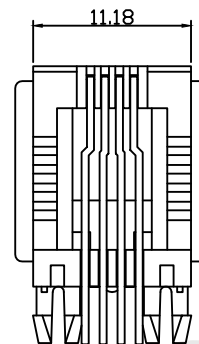


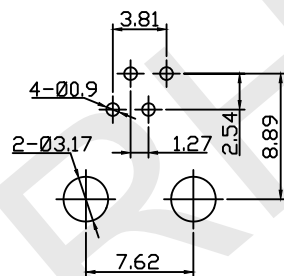
With Panel



SECTION A-A



Without Panel



PCB Layout

Material:  
 Housing:PBT+Glass Filled Polyester  
 Flammability Rating :UL94V-0  
 Contacts: Phosphor Bronze  
 Plating:Gold Plating

Electrical:  
 Voltage Rating:125VAC  
 Current Rating:1.5A  
 Contact Resistance:30mΩ Max.  
 Insulation Resistance: 500MΩ Min.  
 Dielectric Strength:1000VAC Rms 50Hz,1 Min.  
 Durability:600 cycles Min.  
 Operation Temperature:-40℃~+70℃

Order Information

RHTLY43-4P4C - W - 1 - XX

Contacts:4P4C  
 Panel:W-With Panel  
 W/□-Without Panel  
 Color Code:  
 1-Black  
 Plating Code:  
 01-Fu' Gold Plating  
 02-3u' Gold Plating  
 03-6u' Gold Plating  
 04-15u' Gold Plating  
 05-30u' Gold Plating