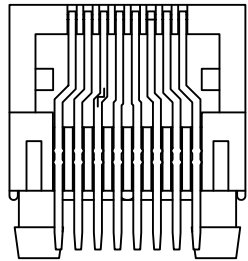
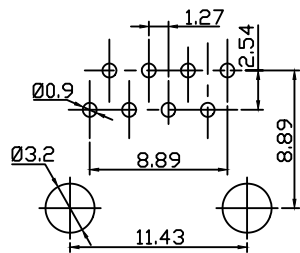


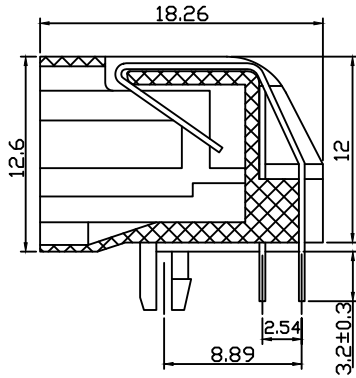
With Panel



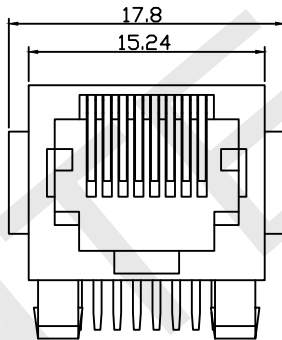
Without Panel



PCB Layout



SECTION A-A



Material:  
 Housing: PBT+Glass Filled Polyester  
 Flammability Rating: UL94V-0  
 Contacts: Phosphor Bronze  
 Plating: Gold Plating

Electrical:  
 Voltage Rating: 125VAC  
 Current Rating: 1.5A  
 Contact Resistance: 30mΩ Max.  
 Insulation Resistance: 500MΩ Min.  
 Dielectric Strength: 1000VAC Rms 50Hz, 1Min.  
 Durability: 600 cycles Min.  
 Operation Temperature: -40°C~+70°C

Order Information

RHTLY48-8P8C- W- 1 -XX

Contacts: 8P8C  
 Panel: W-With Panel  
 W/0-Without Panel  
 Color Code:  
 1-Block  
 Plating Code:  
 01-Fu' Gold Plating  
 02-3u' Gold Plating  
 03-6u' Gold Plating  
 04-15u' Gold Plating  
 05-30u' Gold Plating

**RHTECP** NINGBO RHT ELECTRONIC CO.,LTD

UNITS:mm	SHEET SIZE: A4			SCALE:---	DRWN BY PAN
0~3	3~18	18~50	50~120	CHK'D BY FENG	
±0.12	±0.15	±0.3	±0.5	APPR BY ZHAN	

RJ45-8P8C Modular Jacks

THIRD ANGLE PROJECTION

RHTLY48-8P8C-X-X-XX