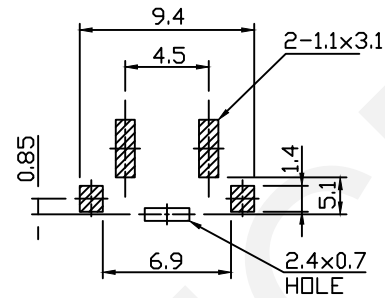
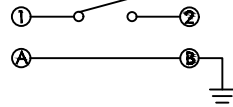


CIRCUIT DIAGRAM



SMD REFLOW PATTERN

Specification:

Rating:DC12V 50mA

Travel:0.25±0.1mm

Bounce Time:≤5ms

Contact Resistance:≤100mΩ

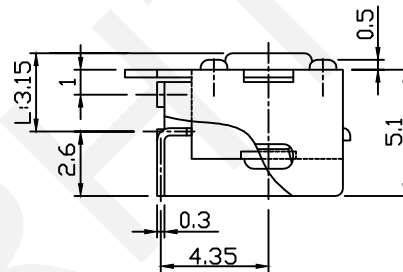
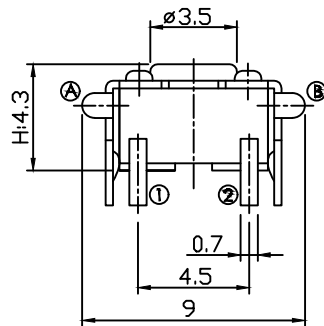
Insulation Resistance:≥100MΩ At 250V DC

Withstand Voltage:250V AC For 1 Minute

Operating Temperature Range:-20°C~70°C

Ambient Humidity Used:<85% RH

Operating Force:160±50gf



ORDER INFORMATION

RHTGYS1102A-4.3-160-T

Part Number

Height:4.3mm

Operating Force :160gf

T-SMD Tactile Switch

RHTECP NINGBO RHT ELECTRONIC CO.,LTD

UNITS:mm

SHEET SIZE: A4

SCALE:---

DRWN BY PAN

Tactile Switch SMD

0~3

3~18

18~50

50~120

CHK'D BY FENG

THIRD ANGLE PROJECTION

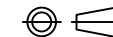
±0.12

±0.15

±0.3

±0.5

APPR BY ZHAN



RHTGYS1102A

1

2

3

4

5

6

7

8

9