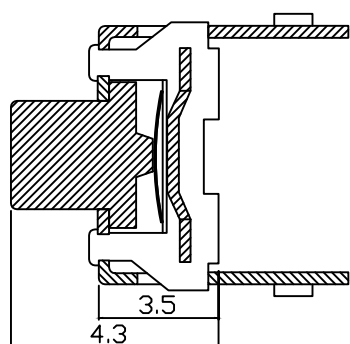
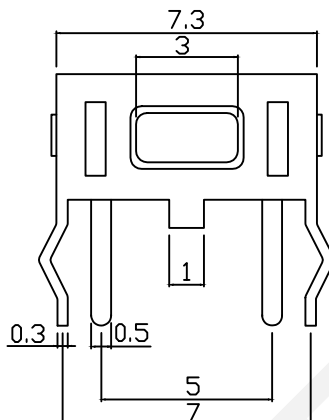
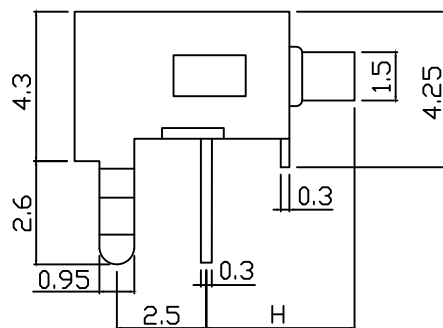
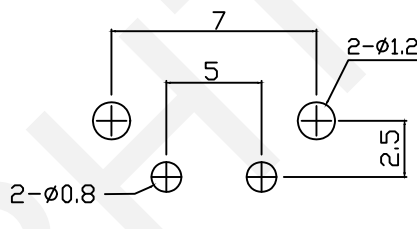


Dimension (unit: mm)



H
3.15
3.85



PCB LAYOUT

ELECTRICAL

- 1.Rating:50mA 12VDC
- 2.Contact Resistance :50mΩ max<Initial>
- 3.Insulation Resistance:100MΩminDC 250V)
- 4.Dielectric Strength:AC250V(50/60Hz For 1minute)
- 5.Electrically Life:100000 Cycles
- 6.Environment Temperature:-30℃~+120℃
- 7.Operating Force: 180/250(±30gf)
- 8.Seal Temperature:260℃~280℃

ORDER INFORMATION

RHTGYS3602-3.15-180

Series No _____

Height:3.15mm/3.85mm _____

Operating Force :180~250gf _____

RHTECP NINGBO RHT ELECTRONIC CO.,LTD

UNITS:mm	SHEET SIZE: A4			SCALE:----	DRWN BY PAN
0~3	3~18	18~50	50~120	CHK'D BY FENG	THIRD ANGLE PROJECTION
±0.12	±0.15	±0.3	±0.5	APPR BY ZHAN	

3x6mm Tact Switch Series

RHTGY3602