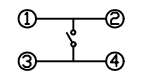


Electrical:

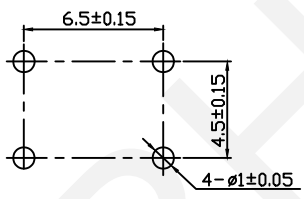
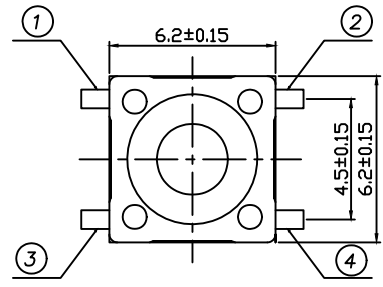
- 1.Rating: 50mA 12V DC
- 2.Travel:0.35±0.1mm
- 3.Contact Resistance :100mΩ Max
- 4.Electrically Life:100000 Cycles Min.
- 5.Operating Force:250±50gf
- 6.Environment temperature:-30°C~+80°C

Materials:

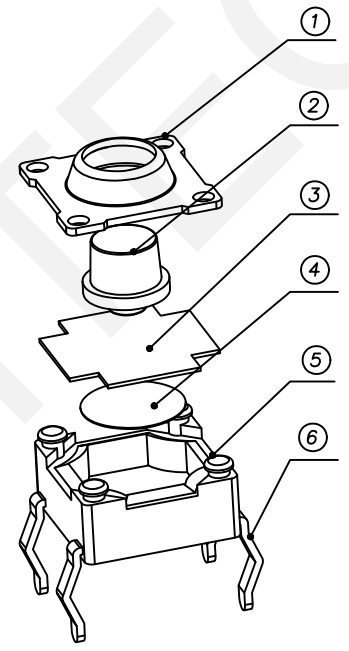
- 1.Stretching Lap:Brass, copper,Tin
- 2.Button:PPA,Red
- 3.Waterproof Layer:Silica Gel,Black
- 4.Shrapnel:Stainless Steel
- 5.Foundation:PPA,Black
- 6.Terminal:Brass,Silver-Plated



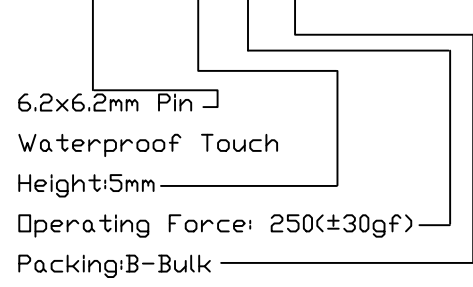
Circuit Sketch
SCHEMATIC



Circuit Board Cutout
P.C.B



ORDER INFORMATION
RHTGYS6262-5-250-B



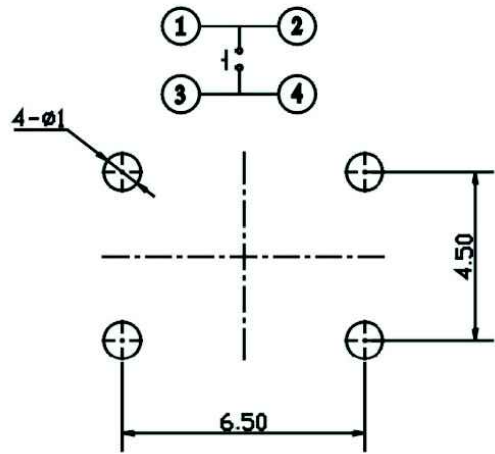
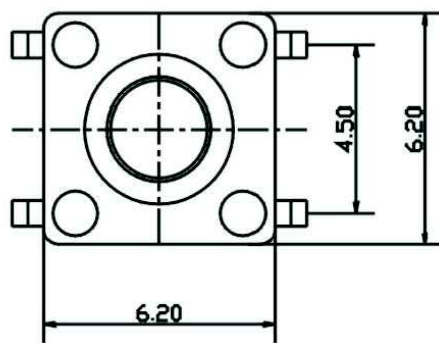
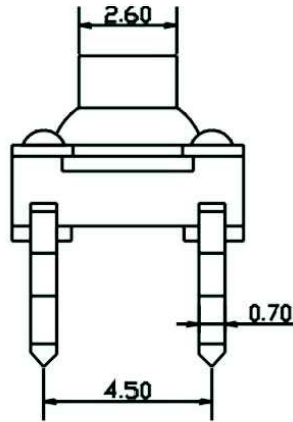
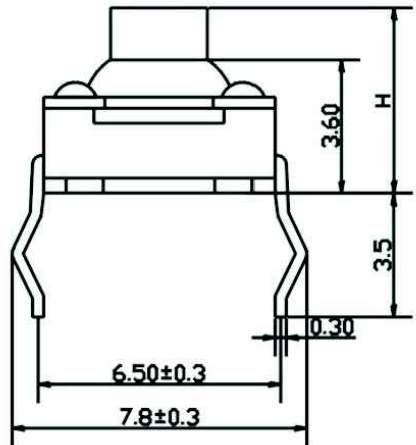
RHTECP NINGBO RHT ELECTRONIC CO.,LTD

UNITS:mm	SHEET SIZE: A4			SCALE:---	DRWN BY PAN
0~3	3~18	18~50	50~120	CHK'D BY FENG	
±0.12	±0.15	±0.3	±0.5	APPR BY ZHAN	

6.2x6.2mm Height:5mm Pin
Waterproof Touch

THIRD ANGLE PROJECTION

RHTGYS6262



Electrical:

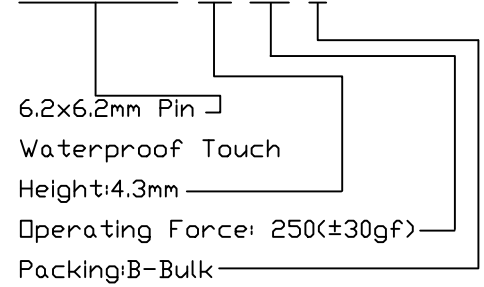
1. Rating: 50mA 12V DC
2. Travel: 0.35±0.1mm
3. Contact Resistance: $100\text{m}\Omega$ Max
4. Electrically Life: 100000 Cycles Min.
5. Operating Force: 250±50gf
6. Environment temperature: -30°C~+80°C

Materials:

1. Stretching Lap: Brass, copper, Tin
2. Button: PPA, Red
3. Waterproof Layer: Silica Gel, Black
4. Shrapnel: Stainless Steel
5. Foundation: PPA, Black
6. Terminal: Brass, Silver-Plated

ORDER INFORMATION

RHTGYS6262-4.3-250-B



RHTECP NINGBO RHT ELECTRONIC CO.,LTD

UNITS:mm	SHEET SIZE: A4			SCALE:---	DRWN BY PAN
0~3	3~18	18~50	50~120	CHK'D BY FENG	
±0.12	±0.15	±0.3	±0.5	APPR BY ZHAN	

6.2x6.2mm Height:5mm Pin
Waterproof Touch

THIRD ANGLE PROJECTION

RHTGYS6262