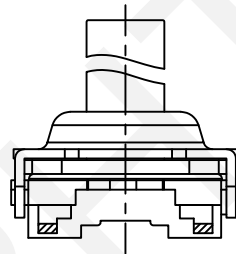
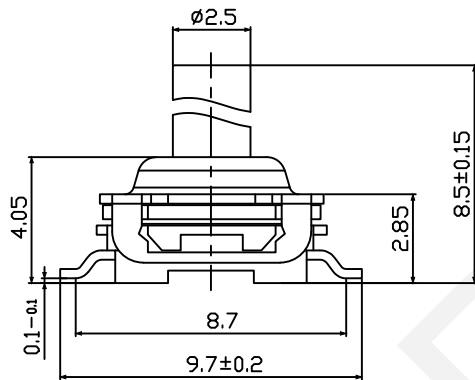
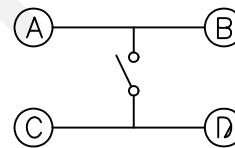


Printed Circuit Boards
Recommended P.C.B Layout



Circuit Sketch
SCHEMATIC



Electrical:

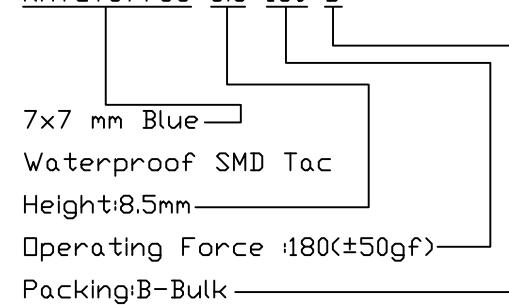
1. Rating: 50mA 12V DC
2. Travel: 0.35 ± 0.1 mm
3. Contact Resistance: $100 \text{m}\Omega$ Max
4. Electrically Life: 100000 Cycles Min.
5. Operating Force: 180 ± 50 gf
6. Environment Temperature: $-30^\circ\text{C} \sim +80^\circ\text{C}$

Materials:

1. Insert: H62Y $\&=0.30$, Silver
2. Base: PPA, Blue
3. Shrapnel: Stainless Steel
4. Waterproof Membrane: Silica Gel
5. Cap: PPA, Blue
6. Tensile Plate: H65M $\&=0.30$, Copper Tin

ORDER INFORMATION

RHTGYS7785-8.5-180-B



RHTECP NINGBO RHT ELECTRONIC CO.,LTD

UNITS:mm	SHEET SIZE: A4			SCALE:----	DRWN BY PAN
0~3	3~18	18~50	50~120	CHK'D BY FENG	
± 0.12	± 0.15	± 0.3	± 0.5	APPR BY ZHAN	

7x7mm Blue Waterproof SMD Tact
THIRD ANGLE PROJECTION
 RHTGYS7785